



### Specification

Orifice: DN15-DN65

Thread: G1/8" -G2 1/2"

Valve material: stainless steel 316

Actuator material: Aluminium, stainless steel, plastic

Valve core seal: PTFE

Valve stem seal: PTFE / FKM

Applicable medium: Water, liquid, neutral gas, oil  
water steam, weak acid or weak  
alkalis Solution.

Medium temperature: -10°C ~180°C

Environment temperature: -10°C ~60°C

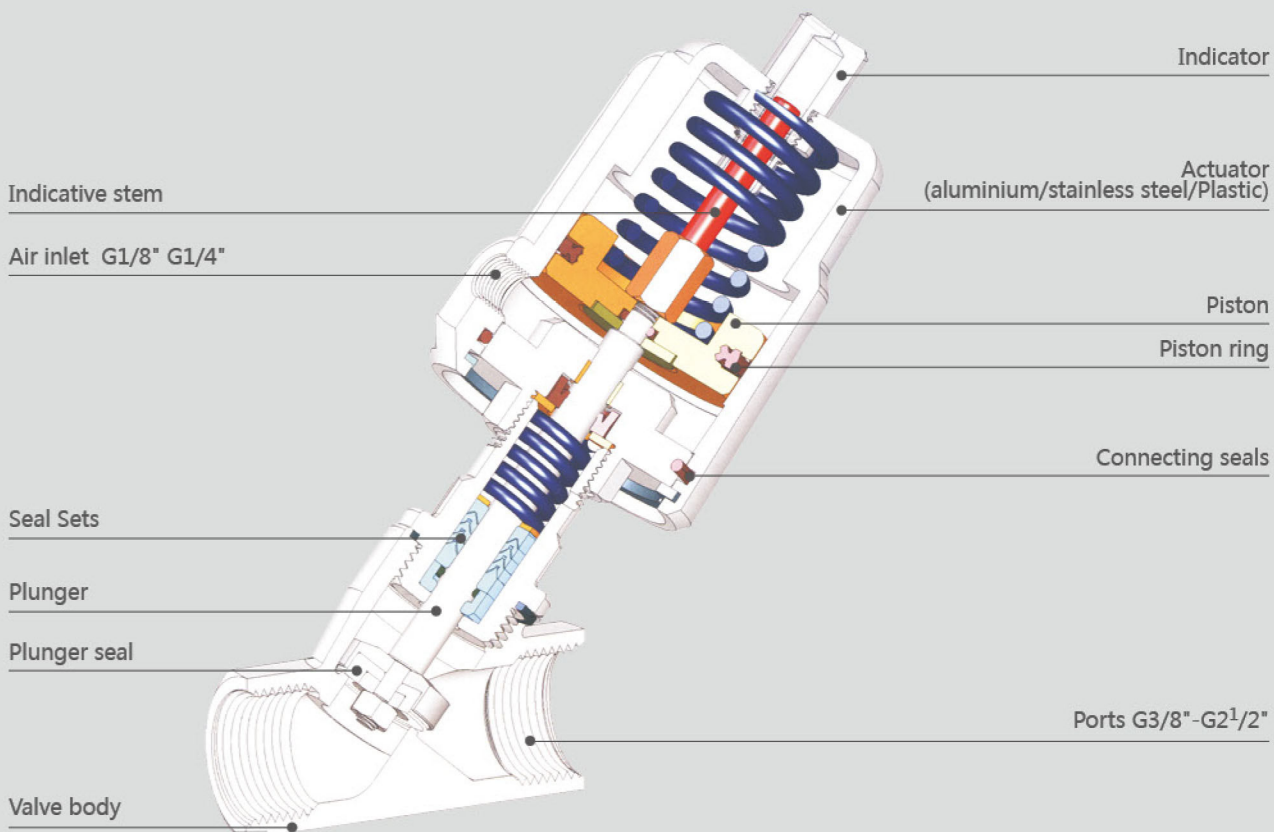
Viscosity: max. 600 mm<sup>2</sup> / S

Installation: any position

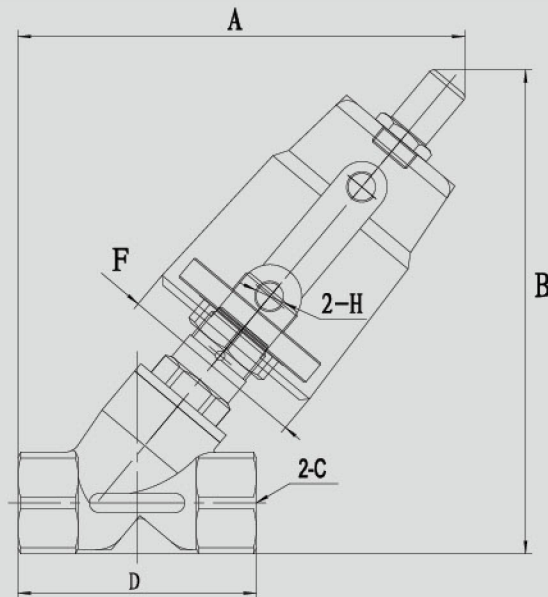
Controlling medium: air or neutral gas

Controlling pressure range: 0.3~1Mpa

Liquid working pressure: 0~1.6Mpa



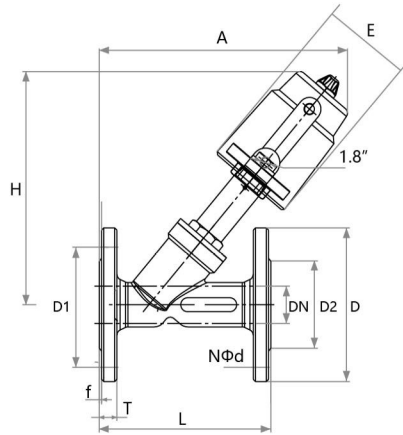
## Angle seat valve



Model	Actuator size	A	B	C	D	E	F	H
RJQ22S40-10	40	127.5	136	G3/8"	69	27	50	G1/8"
RJQ22S40-15	40	127.5	136	G1/2"	69	27	50	G1/8"
RJQ22S50-10	50	140	150	G3/8"	69	27	60.5	G1/8"
RJQ22S50-15	50	140	150	G1/2"	69	27	60.5	G1/8"
RJQ22S50-20	50	143	155	G3/4"	75.5	32	60.5	G1/8"
RJQ22S50-25	50	163.5	176	G1	90	39	60.5	G1/8"
RJQ22S63-25	63	174.5	189.5	G1	90	39	77	G1/8"
RJQ22S63-32	63	190.5	207.5	G1-1/4"	117	50	77	G1/8"
RJQ22S63-40	63	190.5	207.5	G1-1/2"	117	55	77	G1/8"
RJQ22S63-50	63	219.5	232.5	G2"	145	70	77	G1/4"
RJQ22S80-50	80	233	253	G2"	145	70	98	G1/4"
RJQ22S80-65	80	273	290	G2-1/2"	170	85	116	G1/4"
RJQ22S100-65	100	270	290.5	G2-1/2"	170	85	116	G1/4"

# Single Acting

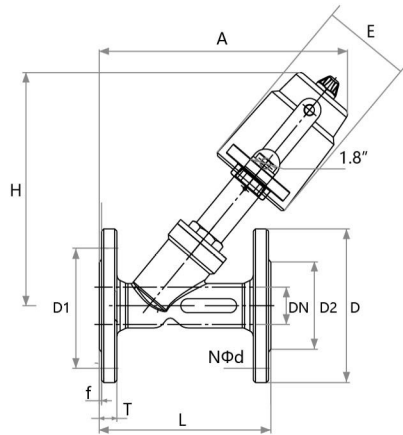
# Pneumatic Angle Seat Valve Flanged Ends JIS10K



Model	L	A	H	D	D1	D2	T	f	NΦd	E	Actuator
<b>ND25</b>	158	216	162	125	90	70	14	1	4Φ19	64	Φ50
<b>ND32</b>	170	245	190	135	100	80	16	2	4Φ19	80	Φ63
<b>ND40</b>	180	250	190	140	105	85	16	2	4Φ19	80	Φ63
<b>ND50</b>	195	260	197	155	120	100	16	2	4Φ19	80	Φ63
<b>ND65</b>	230	298	228	175	140	120	18	2	4Φ19	100	Φ80

# Double Acting

# Pneumatic Angle Seat Valve Flanged Ends JIS10K



Model	L	A	H	D	D1	D2	T	f	NΦd	E	Actuator
<b>ND25</b>	158	216	162	125	90	70	14	1	4Φ19	64	Φ50
<b>ND32</b>	170	245	190	135	100	80	16	2	4Φ19	80	Φ63
<b>ND40</b>	180	250	190	140	105	85	16	2	4Φ19	80	Φ63
<b>ND50</b>	195	260	197	155	120	100	16	2	4Φ19	80	Φ63
<b>ND65</b>	230	298	228	175	140	120	18	2	4Φ19	100	Φ80