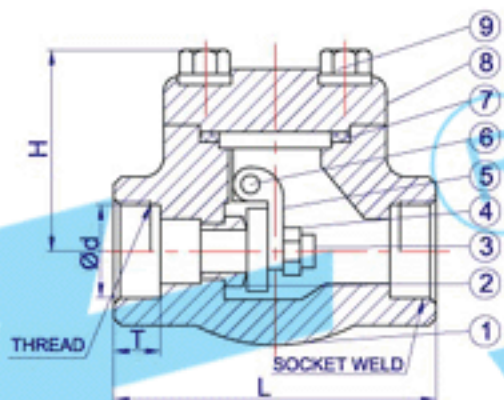


800LB 鍛鋼旋啟式止回閥

800LB FORGED STEEL SWING CHECK VALVE



牙口端 SCREWED END

TC-553S A182 F22-ANSI-800LB

TC-554S A105N-ANSI-800LB

TC-555S A182 F304-ANSI-800LB

TC-556S A182 F316-ANSI-800LB

套焊口端 SOCKET WELD END

TC-553SW A182 F22-ANSI-800LB

TC-554SW A105N-ANSI-800LB

TC-555SW A182 F304-ANSI-800LB

TC-556SW A182 F316-ANSI-800LB

壓力測試 TEST PRESSURE:

公稱壓力	Nominal pressure	800	CL
強度試驗	Strength testing pressure	21	MPa
上密封試驗	Back seal test	15.6	MPa
密封試驗	Seal test	15.6	MPa
氣密封試驗	Steam seal test	0.6	MPa
最高工作溫度	Max. working temperature	425	°C
適用介質	Applicable	W.O.G. etc	

材質表 MATERIALS LIST:

NO.	名稱	PART NAME	CS to ASTM	AS to ASTM	SS to ASTM	
			Type A 105N	Type F 22	Type F304(L)	Type F316(L)
1	閥體	BODY	A105N	A182 F22	A182 F304(L)	A182 F316(L)
2	閥座	STEM RING	A276 420	A276 304	A276 304(L)	A276 316(L)
3	閥瓣	DISC	A276 420	A276 F22	A276 304(L)	A276 316(L)
4	螺母	NUT	A194 2H	A194 4	A194 8	A194 8M
5	搖臂	HINGE	A182 304 (L)		A182 F316(L)	
6	圓柱銷	PIN	A276 420		A182 F304(L)	A182 F316(L)
7	墊片	GASKET	304+GRAPHITE		316+GRAPHITE	
8	閥蓋	BONNET	A105N	A182 F22	A182 F304(L)	A182 F316(L)
9	螺栓	BONNET BOLT	A193 B7	A193 B16	A193 B8(M)	A193 B8M

尺寸表 DIMENSIONS:

SIZE	d	L	H	T
1/2"	21.9	79	55	9.6
3/4"	27.2	92	58	12.7
1"	33.9	111	72	12.7
1 1/4"	42.7	120	85	12.7
1 1/2"	48.8	120	100	12.7
2"	61.1	140	108	15.7