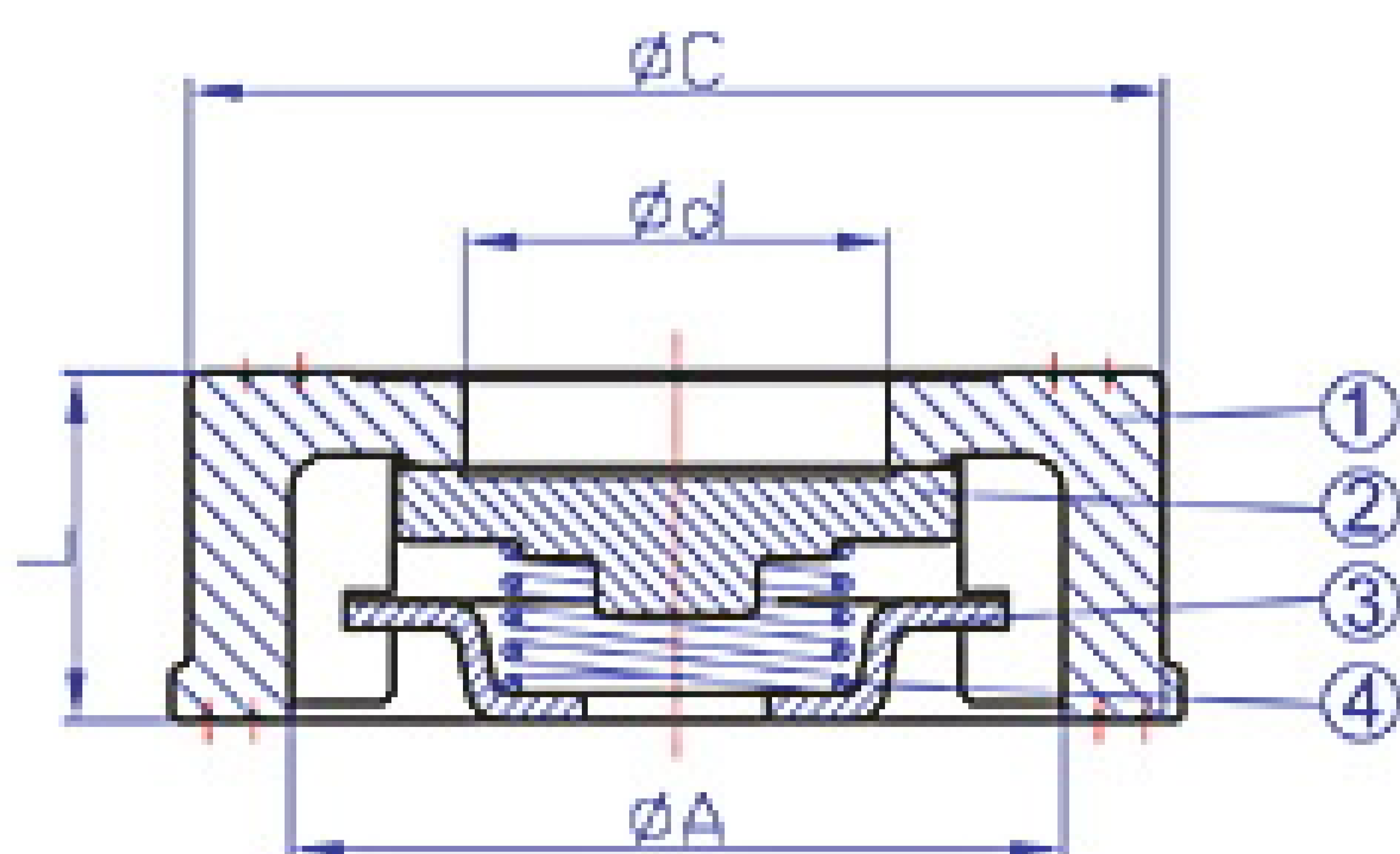


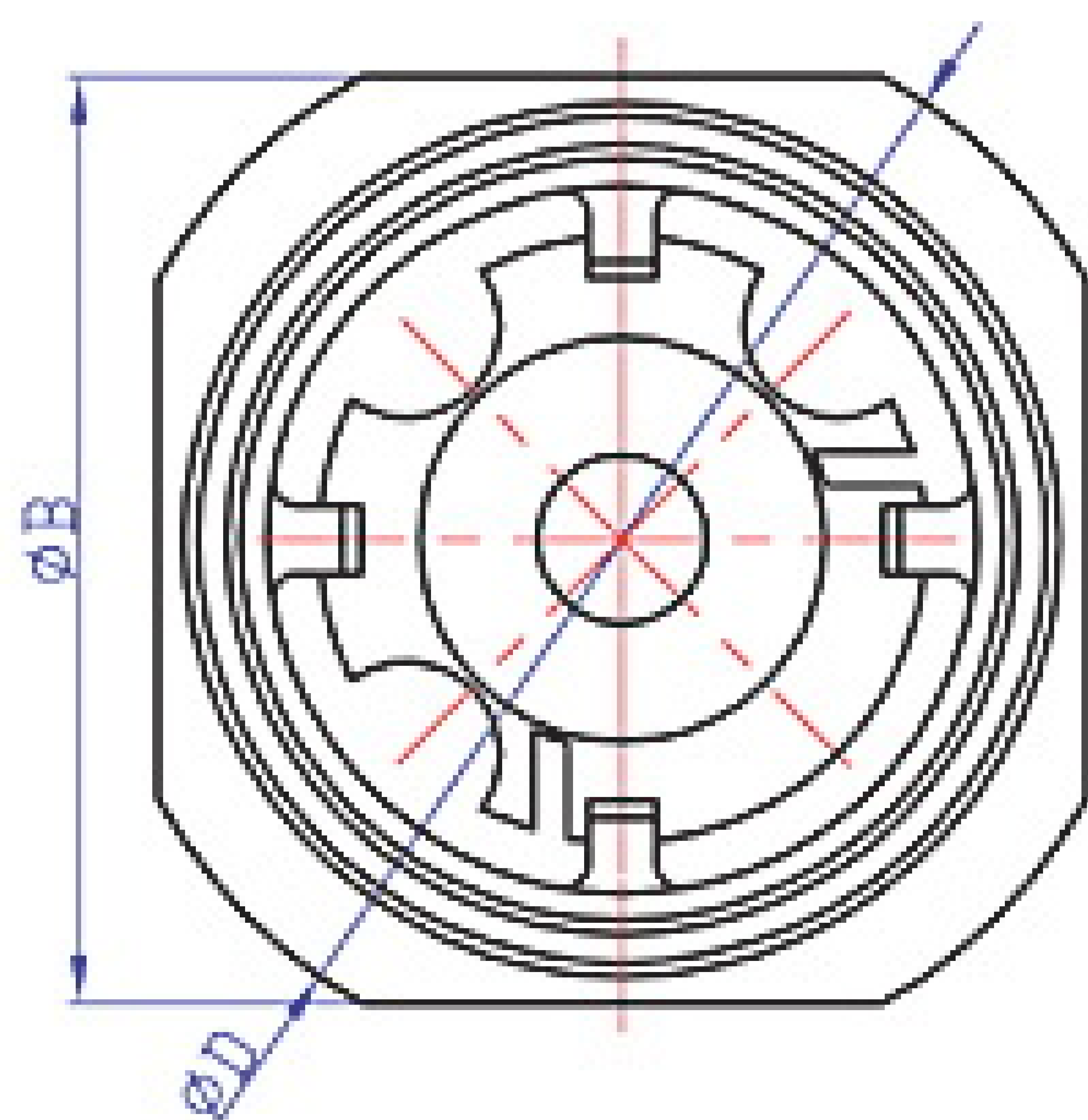
特徵 FEATURES

- FEATURE: SINGLE DOOR TYPE
- FLANGE: ANSI-150LB/300LB/DIN-PN16/25/40
- FACE TO FACE: DIN3202-K4
- PRESSURE: 800PSI (PN40) FOR A.O.G.
- TEMP: -60%%dF TO 800%%dF
- MATERIAL: SUS316 / ASTM A351
Gr-CF8M / DIN1.4408



材質表 MATERIALS LIST

ITEM	部件名稱	PART NAME	MATERIAL
1	閥體	BODY	CF8M
2	閥瓣	DISC	CF8M
3	彈簧擋片	SPRING DISC	SUS316
4	彈簧	SPRING	SUS316



尺寸表 DIMENSIONS

SIZE	DN	1/2"	3/4"	1"	1 1/4"	1 1/2"	2"	2 1/2"	3"	4"	6"
	NPS	15	20	25	32	40	50	65	80	100	150
d		15	23	25	32	39	48	62	72	86	136
A		35	42	46.2	61	70.5	80	100	112	135	197
B		45	55	65	79	89	99	118	134	154	—
C		43	53	57	74	82	91	112.5	125	149	216
D		53	63	73	84	94	107	126	144	164	220
L		16	19	22	28	32	40	46	50	60	106
WWEIGET/KGS		0.1	0.16	0.28	0.52	0.70	1.10	1.58	1.76	3.30	9.82