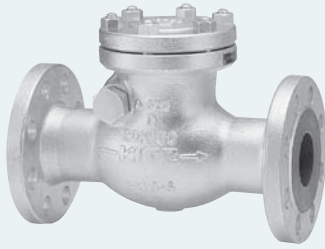
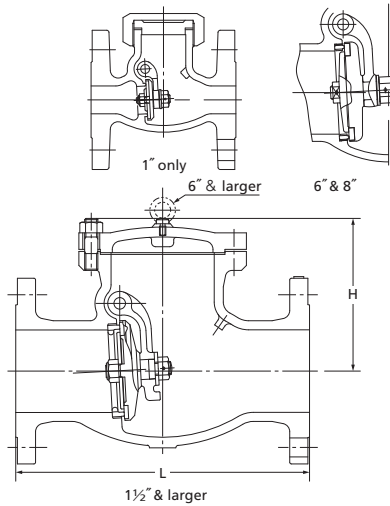


20K Swing Check Valve for Gas Service

20SODB
B.C. or U.B.
RF-flanged



PTFE disc for gas service
B.C. for 1½" & larger
U.B. for 1" only



F-F dimension : JIS B 2002
End flanges : JIS B 2239 20K

120°C gas..... 2.4MPa

Materials

Parts	JIS material
Body	FCD-5
Cap (1" only)	SFVC2A
Cover (1½"~8")	FCD-5
Disc	PTFE
Disc holder	SUS403
Gasket	Non-asbestos Sheet
Body seat ring	SUS403
Arm	SCS13A (6" & 8" : SFVC2A / SCPH2)
Hinge pin	SUS403
Split pin	SUS304
Cover bolt/nut	Carbon Steel
Bushing (1"~4")	SUS403

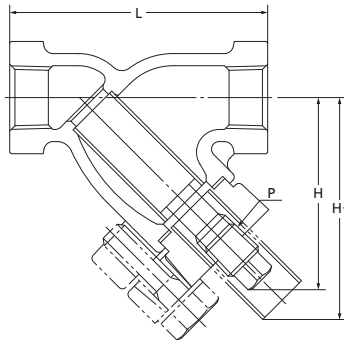
Dimensions

Size	mm								
	mm	25	40	50	65	80	100	150	200
	inch	1	1½	2	2½	3	4	6	8
L		130	241	267	292	318	356	444	533
H		78	123	135	145	160	185	240	280

NOTE : For flange dimensions, refer to Page 40.

20K Strainer for Gas Service

20FDY
B.C.



E-E dimension : KITZ Std.
End threads : JIS B 0203

120°C Static water..... 2.8MPa
220°C Steam, air, gas, oil..... 2.5MPa
300°C Steam, air, gas, oil..... 2.3MPa
350°C Steam, air, gas, oil..... 2.0MPa

- Use for lubricating or hydraulic oil is acceptable.
- A gasket will be used for sealing the plug for application to high temperature exceeding 260°C. Specify your service temperature in advance. Ensure replacement of plug gaskets on your valve maintenance.

Materials

Parts	JIS material
Body	FCD-5
Cover	FCD-5
Gasket	Flexible Graphite
Screen *	SUS304
Plug	SUS304
Cover bolt	S45C

* 40mesh wire cloth (reinforced with SUS304 punched plate)

Dimensions

Size	mm							
	mm	10	15	20	25	32	40	50
	inch	½	¾	¾	1¼	1½	2	2
L		80	85	100	115	135	150	180
H		65	65	70	83	120	130	152
P		Rc¼	Rc¼	Rc¾	Rc½	Rc¾	Rc1	Rc1¼
H1		74	74	85	102	122	134	161