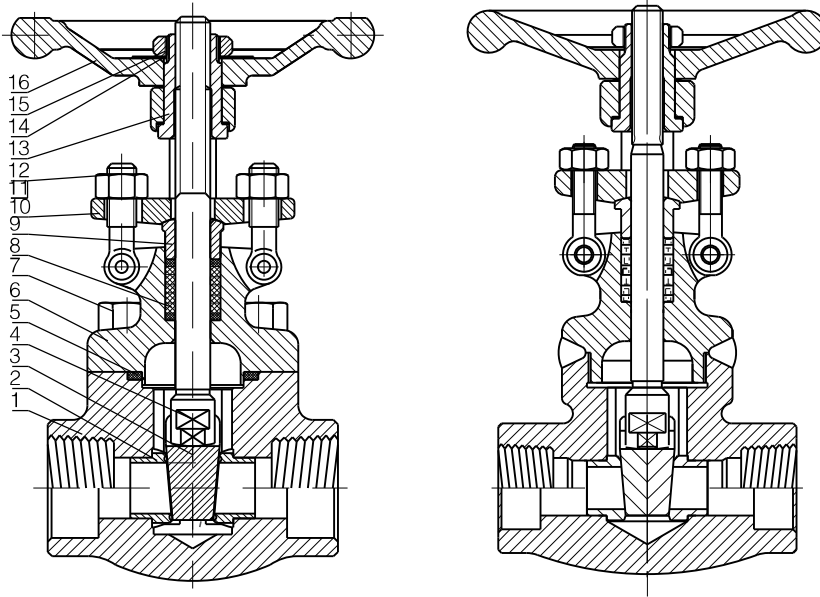


Forged Steel Gate Valve

Forged Steel Gate Valve

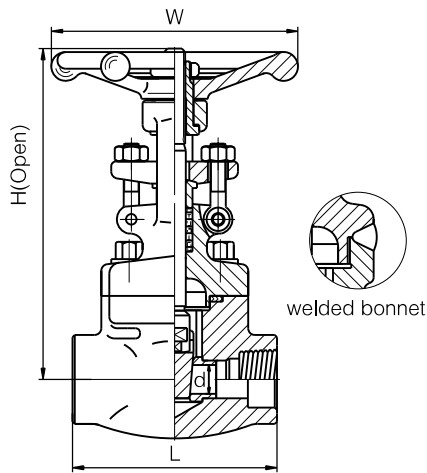


Applicable Standards

1. Design and Manufacture
API 602, BS5352, ASME B16.34
2. Connection end
Socket Weld End(SW): ASME B16.11
Threaded End(NPT): ASME B1.20.1
Butt-Weld End(BW): ASME B16.25
Flange End(RF/RTJ): ASME B16.5
3. Test & Inspection
API 602, API 598
4. Design Description
Bolted Bonnet(BB),
Welded Bonnet(WB),
Outside Screw and Yoke(OS&Y)
5. Main Materials:
A105, LF2, F5, F11, F22,
304(L), 316(L), F347, F321,
F51, Alloy 20, Monel

No.	PART	ASTM Material					
		A105	LF2	F11	F304(L)	F316(L)	F51
1	BODY	A105	LF2	F11	F304(L)	F316(L)	F51
2	SEAT	410	410	410+STL	304(L)	316(L)	F51
3	GATE	F6a	F6a	F6a+STL	F304(L)	F316(L)	F51
4	STEM	410	410	410	304(L)	316(L)	F51
5	GASKET	304 + Graphite			304+Graphite	316(L)+Graphite	316(L)+Graphite
6	BONNET	A105	LF2	F11	F304(L)	F316(L)	F51
7	BOLT	B7	L7	B16	B8(M)	B8(M)	B8M
8	PACKING	Flexible Graphite					
9	GLAND	A182 F6	LF2	F11	F304	F304	F304
10	GLAND FLANGE	A105	LF2	F11	F304	F304	F304
11	NUT	A194 2H			8		
12	EYEBOLT	A193 B7			B8		
13	STEM NUT	A276 410					
14	NAMEPLATE	AL					
15	LOCK NUT	AISI 1035					
16	HANDWHEEL	ASTM A197					

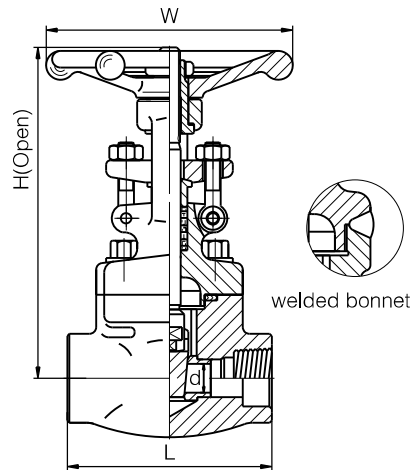
Forged Steel Gate Valve



CL800

Bolted Bonnet/Welded Bonnet, Full Port/Reduced Port, Outside Screw and Yoke (OS&Y), Threaded, Butt Weld, Socket Weld. Design: API 602

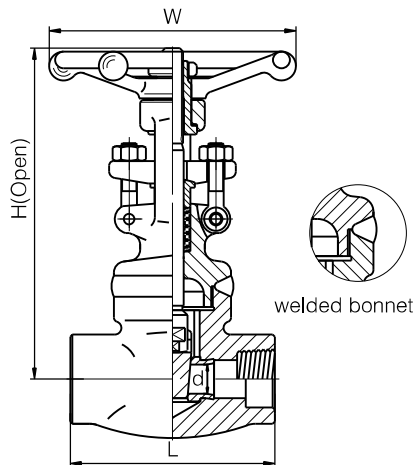
Size (NPS)	R.P	1/2	3/4	1	1.1/4	1.1/2	2	2.1/2
	F.P	3/8	1/2	3/4	1	1.1/4	1.1/2	2
Face To Face	L	79	92	111	120	120	140	178
Handwheel Diameter	W	100	100	125	160	160	180	200
Height	H	161	163	196	223	251	290	333
Flow Port Diameter	d	10.3	13.5	18	23	29	36	45
Weight	B.B	2.22	2.39	4.24	5.7	7.05	10.9	16.8
	W.B	1.9	2.1	3.2	6.9	6.9	10.4	15.8



CL900~1500

Bolted Bonnet/Welded Bonnet, Full Port/Reduced Port, Outside Screw and Yoke (OS&Y), Threaded, Butt Weld, Socket Weld. Design: API 602

Size (NPS)	R.P	1/2	3/4	1	1.1/4	1.1/2	2	2.1/2
	F.P	3/8	1/2	3/4	1	1.1/4	1.1/2	2
Face To Face	L	92	111	120	120	140	178	-
Handwheel Diameter	W	100	125	160	160	180	200	-
Height	H	191	191	219	243	296	316	-
Flow Port Diameter	d	10.5	13.5	18	23	29	36	-
Weight	B.B	2.3	4.4	6.8	7.6	11.6	15	-
	W.B	2.1	3.5	6.9	6.9	10.4	13.8	-



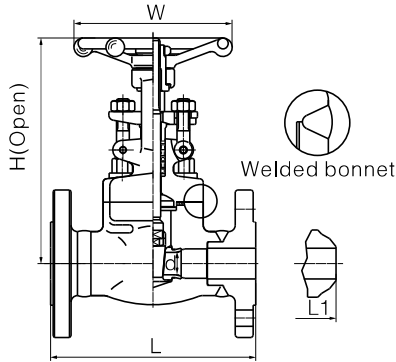
CL2500

Welded Bonnet, Full Port/Reduced Port, Outside Screw and Yoke (OS&Y), Threaded, Butt Weld, Socket Weld. Design: ASME B16.34

Size (NPS)	R.P	3/8	1/2	3/4	1	1.1/4	1.1/2	2
Face To Face	L	111	120	120	120	140	-	-
Handwheel Diameter	W	125	125	125	125	250	-	-
Height	H	215	218	220	238	271	-	-
Flow Port Diameter	d	8	10.3	13.5	18	23	-	-
Weight	W.B	-	-	-	-	-	-	-

Forged Steel Gate Valve

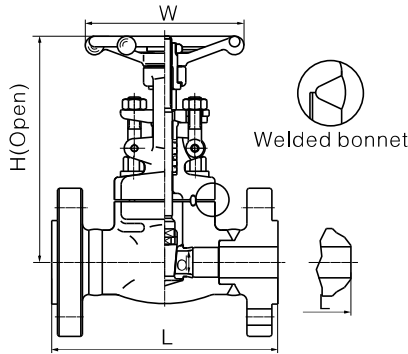
CL150-300-600 Bolted Bonnet, Reduced Port, Outside Screw and Yoke(OS & Y) Flange-welded or Socket-welded ends; Design to API602:BS5352



Size (NPS)			1/4	3/8	1/2	3/4	1	1 1/4	1 1/2	2	2 1/2
Face to face	CL150	L (RF)	-	-	108	117	127	140	165	178	190
	CL300	L1 (BW)	-	-	140	152	165	178	190	216	241
	CL600		-	-	165	190	216	229	241	292	330
Handwheel diameter			-	-	100	100	125	160	160	180	200
Height	CL150	W	-	-	176	184	217	226	250	290	357
	CL300,CL600		-	-	161	163	196	226	250	290	357
Height (angle dimension)			-	-	10	13.5	18	24	29	36.5	45
Weight (Kg)	CL150	RF	-	-	3.4	3.98	6.12	7.2	10.4	15.5	24.5
		BW	-	-	2.8	3.3	5.4	7.1	8.2	12.5	20
	CL300	RF	-	-	3.77	4.89	7.23	9.6	12.64	18	26.2
		BW	-	-	3.5	4.4	6.8	8.1	9.2	15.4	22
	CL600	RF	-	-	4.2	5.8	8.8	12.1	15.6	19.5	32
		BW	-	-	4.5	5.1	8.2	10.5	12.4	20.1	28

If you want to order integral flange, please contact sale department

CL900-CL1500 Welded Bonnet, Full Port, Outside Screw and Yoke(OS & Y) Flange-welded or Socket-welded ends; Design to API 602,BS 5352



Size (NPS)			1/4	3/8	1/2	3/4	1	1 1/4	1 1/2	2
Face to face	L(RF),L1(BW)		-	-	216	229	254	279	305	368
	L(RTJ)		-	-	216	229	254	279	305	371
Handwheel diameter	W		-	-	125	125	160	180	200	220
Height	H		-	-	191	192	219	257	296	316
Height (angle dimension)	d		-	-	13.5	18	24	29	36.5	45
Weight(Kg)			-	-	7.2	11.5	15.6	16.2	22.6	28.2

If you want to order integral flange, please contact sale department