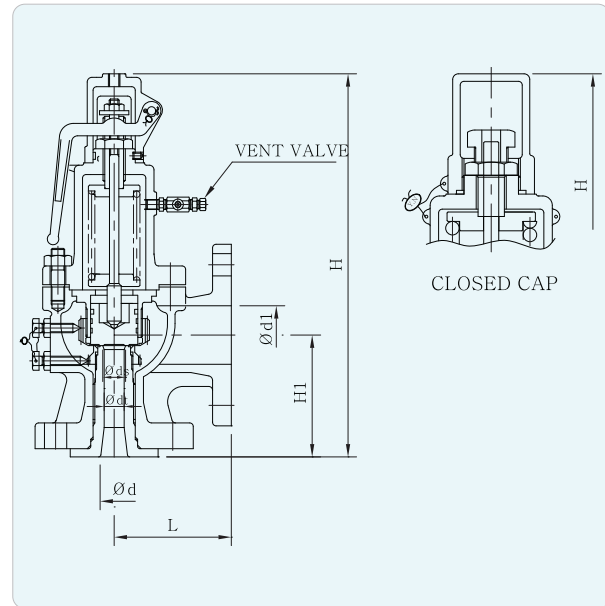


## FSV-2F | Full Bore Safety Relief Valve



### ► Specifications

| Type     | Working Fluid | Setting Pressure<br>(kgf/cm <sup>2</sup> ) | Working Temperature | Materials  |                 | Connection                  |
|----------|---------------|--|---------------------|------------|-----------------|-----------------------------|
|          |               |  |                     | Body       | Trim            |                             |
| Lever    | Steam, Air    | 0.35~22                                    | MAX. 250°C          | Cast Steel | Stainless Steel | JIS Flanged<br>ANSI Flanged |
| No Lever | Water, Oil    |  |                     |            |                 |                             |

### ► Dimensions

| Size        | Part | d   | dt   | ds   | L   | H1  | H    | Lift | Inlet                   | Outlet             |
|-------------|------|-----|------|------|-----|-----|------|------|-------------------------|--------------------|
| 15A × 25A   |      | 15  | 11.5 | 14.5 | 95  | 85  | 282  | 3.0  | JIS 10K, 20K RF Flanged | JIS 10K FF Flanged |
| 20A × 25A   |      | 20  | 15   | 17.5 | 95  | 85  | 282  | 3.8  |                         |                    |
| 25A × 40A   |      | 25  | 19   | 22   | 100 | 104 | 320  | 4.8  |                         |                    |
| 32A × 65A   |      | 32  | 30   | 35   | 115 | 123 | 386  | 7.5  |                         |                    |
| 40A × 65A   |      | 40  | 30   | 35   | 115 | 123 | 386  | 7.5  |                         |                    |
| 50A × 80A   |      | 50  | 38   | 44   | 128 | 130 | 476  | 9.5  |                         |                    |
| 65A × 100A  |      | 65  | 49   | 57   | 145 | 150 | 547  | 12.3 |                         |                    |
| 80A × 125A  |      | 80  | 61   | 71   | 162 | 168 | 598  | 15.2 |                         |                    |
| 100A × 150A |      | 100 | 76   | 88   | 190 | 197 | 725  | 19.0 |                         |                    |
| 125A × 200A |      | 125 | 95   | 114  | 220 | 222 | 895  | 24.0 |                         |                    |
| 150A × 200A |      | 150 | 115  | 133  | 225 | 230 | 953  | 28.7 |                         |                    |
| 200A × 250A |      | 200 | 150  | 175  | 270 | 255 | 1121 | 37.5 |                         |                    |
| 250A × 300A |      | 250 | 200  | 230  | 410 | 350 | 1720 | 50.0 |                         |                    |

※주문에 따라 입·출구플랜지 KS B6216, ANSI 규격으로도 제작할 수 있습니다. (온도 235°C 이상은 덮개 개방형으로 제작 - 산업안전관리공단 발체)

# Discharge Capacities

S : Saturated Steam (kg/h with 3% accumulation)  
 A : Air (kg/h at 20°C with 10% accumulation)  
 W : Water (m<sup>3</sup>/h at G=1 with 15% accumulation)

## ► Model (LSV-1S)

| Size      | Effective Area(m <sup>2</sup> ) | Fluid | Set Pressure kg/cm <sup>2</sup> |        |        |        |        |        |        |        |        |         |         |         |         |         |         |         |         |
|-----------|---------------------------------|-------|---------------------------------|--------|--------|--------|--------|--------|--------|--------|--------|---------|---------|---------|---------|---------|---------|---------|---------|
|           |                                 |       | 0.3                             | 0.4    | 0.5    | 0.6    | 0.7    | 0.8    | 0.9    | 1.0    | 2.0    | 3.0     | 4.0     | 5.0     | 6.0     | 7.0     | 8.0     | 9.0     | 10.0    |
| 15A ~ 20A | 62.83                           | S     | 35.78                           | 38.17  | 40.56  | 42.94  | 45.33  | 47.71  | 50.10  | 52.48  | 76.34  | 100.20  | 124.05  | 147.91  | 171.77  | 195.62  | 219.48  | 243.34  | 267.19  |
|           |                                 | A     | 52.65                           | 56.90  | 61.15  | 65.40  | 69.65  | 73.90  | 78.15  | 82.40  | 124.89 | 167.39  | 209.88  | 252.38  | 294.87  | 337.36  | 379.86  | 422.35  | 464.85  |
| 25A       | 133.52                          | S     | 0.72                            | 0.83   | 0.93   | 1.02   | 1.10   | 1.18   | 1.25   | 1.32   | 1.86   | 2.28    | 2.63    | 2.94    | 3.23    | 3.48    | 3.73    | 3.95    | 4.16    |
|           |                                 | A     | 76.05                           | 81.12  | 86.19  | 91.26  | 96.33  | 101.40 | 106.47 | 111.53 | 162.23 | 212.93  | 263.63  | 314.33  | 365.02  | 415.72  | 466.42  | 517.12  | 567.81  |
| 32A       | 221.17                          | S     | 1.53                            | 1.77   | 1.98   | 2.17   | 2.34   | 2.50   | 2.66   | 2.80   | 3.96   | 4.85    | 5.60    | 6.26    | 6.86    | 7.40    | 7.92    | 8.40    | 8.85    |
|           |                                 | A     | 125.97                          | 134.37 | 142.76 | 151.16 | 159.56 | 167.96 | 176.35 | 184.75 | 268.73 | 352.71  | 436.69  | 520.67  | 604.64  | 688.62  | 772.60  | 856.58  | 940.56  |
| 40A       | 289.03                          | S     | 185.35                          | 200.31 | 215.27 | 230.22 | 245.18 | 260.14 | 275.10 | 290.06 | 439.64 | 589.23  | 738.81  | 888.40  | 1037.98 | 1187.56 | 1337.15 | 1486.73 | 1636.32 |
|           |                                 | A     | 111.89                          | 120.93 | 129.96 | 138.99 | 148.02 | 157.05 | 166.08 | 175.11 | 265.41 | 355.72  | 446.02  | 536.32  | 626.63  | 716.93  | 807.24  | 897.54  | 987.84  |
| 50A       | 392.7                           | S     | 164.62                          | 175.59 | 186.57 | 197.54 | 208.52 | 219.49 | 230.46 | 241.44 | 351.18 | 460.93  | 570.67  | 680.42  | 790.16  | 899.91  | 1009.65 | 1119.40 | 1229.14 |
|           |                                 | A     | 242.22                          | 261.77 | 281.31 | 300.86 | 320.41 | 339.96 | 359.51 | 379.05 | 574.53 | 770.02  | 965.50  | 1160.98 | 1356.46 | 1551.94 | 1747.42 | 1942.90 | 2138.38 |
| 50A       | 392.7                           | S     | 223.66                          | 238.57 | 253.48 | 268.40 | 283.31 | 298.22 | 313.13 | 328.04 | 477.15 | 626.26  | 775.36  | 924.47  | 1073.58 | 1222.69 | 1371.80 | 1520.91 | 1670.02 |
|           |                                 | A     | 329.10                          | 355.66 | 382.22 | 408.78 | 435.34 | 461.90 | 488.45 | 515.01 | 780.61 | 1046.21 | 1311.80 | 1577.40 | 1842.99 | 2108.59 | 2374.19 | 2639.78 | 2905.38 |

## ► Model (HSV-3S)

| Size     | Effective Area(m <sup>2</sup> ) | Fluid | Set Pressure kg/cm <sup>2</sup> |         |         |         |         |         |         |         |         |         |         |         |         |         |         |         |          |
|----------|---------------------------------|-------|---------------------------------|---------|---------|---------|---------|---------|---------|---------|---------|---------|---------|---------|---------|---------|---------|---------|----------|
|          |                                 |       | 11                              | 12      | 13      | 14      | 15      | 16      | 17      | 18      | 19      | 20      | 21      | 22      | 24      | 26      | 28      | 30      | 32       |
| 15A~ 20A | 408.4                           | S     | 189.19                          | 204.69  | 220.20  | 235.71  | 251.21  | 266.72  | 282.23  | 297.73  | 313.24  | 328.75  | 344.26  | 359.76  | 380.78  | 421.79  | 462.80  | 483.82  | 514.83   |
|          |                                 | A     | 329.77                          | 357.40  | 385.02  | 412.64  | 440.26  | 467.88  | 495.50  | 523.12  | 550.75  | 578.37  | 605.99  | 633.61  | 688.85  | 744.10  | 799.34  | 854.58  | 909.82   |
| 25A      | 96.13                           | S     | 2.84                            | 2.97    | 3.09    | 3.20    | 3.32    | 3.42    | 3.53    | 3.63    | 3.73    | 3.83    | 3.92    | 4.02    | 4.19    | 4.37    | 4.53    | 4.69    | 4.84     |
|          |                                 | A     | 445.31                          | 481.81  | 518.31  | 554.81  | 591.31  | 627.81  | 664.31  | 700.81  | 737.31  | 773.81  | 810.31  | 846.82  | 919.82  | 992.82  | 1065.82 | 1138.82 | 1211.82  |
| 32A      | 144.51                          | S     | 7.76                            | 8.41    | 9.06    | 9.71    | 10.36   | 11.01   | 11.66   | 12.31   | 12.96   | 13.61   | 14.26   | 14.91   | 15.56   | 16.21   | 16.86   | 17.51   | 18.16    |
|          |                                 | A     | 76.23                           | 84.25   | 92.26   | 100.28  | 108.29  | 116.31  | 124.33  | 132.34  | 140.36  | 148.37  | 156.39  | 164.40  | 172.42  | 180.43  | 188.45  | 196.46  | 204.48   |
| 40A      | 179.7                           | S     | 6.68                            | 6.98    | 7.27    | 7.54    | 7.80    | 8.06    | 8.31    | 8.55    | 8.78    | 9.01    | 9.23    | 9.45    | 9.87    | 10.27   | 10.66   | 11.04   | 11.40    |
|          |                                 | A     | 669.42                          | 724.29  | 779.16  | 834.03  | 888.90  | 943.77  | 998.64  | 1053.52 | 1108.39 | 1163.26 | 1218.13 | 1273.00 | 1327.87 | 1422.74 | 1517.61 | 1612.48 | 1707.35  |
| 50A      | 452.39                          | S     | 10.05                           | 10.49   | 10.92   | 11.33   | 11.73   | 12.12   | 12.49   | 12.85   | 13.20   | 13.55   | 13.88   | 14.21   | 14.84   | 15.45   | 16.03   | 16.59   | 17.14    |
|          |                                 | A     | 1166.89                         | 1264.63 | 1362.36 | 1460.10 | 1557.84 | 1655.57 | 1753.31 | 1851.05 | 1948.78 | 2046.52 | 2144.26 | 2241.99 | 2437.47 | 2632.94 | 2828.42 | 3023.89 | 3219.36  |
| 50A      | 452.39                          | S     | 832.43                          | 900.67  | 968.90  | 1037.13 | 1105.36 | 1173.60 | 1241.83 | 1310.06 | 1378.29 | 1446.52 | 1514.76 | 1582.99 | 1719.45 | 1855.92 | 1992.38 | 2128.85 | 2265.31  |
|          |                                 | A     | 1451.04                         | 1572.58 | 1694.12 | 1815.65 | 1937.19 | 2058.73 | 2180.26 | 2301.80 | 2423.34 | 2544.87 | 2666.41 | 2787.95 | 3031.02 | 3274.10 | 3517.17 | 3760.24 | 4003.32  |
| 50A      | 452.39                          | S     | 12.49                           | 13.05   | 13.58   | 14.09   | 14.59   | 15.07   | 15.53   | 15.98   | 16.42   | 16.85   | 17.26   | 17.67   | 18.45   | 19.21   | 19.93   | 20.63   | 21.31    |
|          |                                 | A     | 2095.63                         | 2267.40 | 2439.18 | 2610.95 | 2782.72 | 2954.49 | 3126.27 | 3298.04 | 3469.81 | 3641.59 | 3813.36 | 3985.13 | 4328.68 | 4672.22 | 5015.77 | 5359.32 | 5702.86  |
| 50A      | 452.39                          | S     | 3652.96                         | 3958.92 | 4264.89 | 4570.86 | 4876.82 | 5182.79 | 5488.75 | 5794.72 | 6100.69 | 6406.65 | 6712.62 | 7018.59 | 7630.52 | 8242.45 | 8854.38 | 9466.31 | 10078.25 |
|          |                                 | A     | 31.45                           | 32.85   | 34.19   | 35.48   | 36.73   | 37.93   | 39.10   | 40.23   | 41.34   | 42.41   | 43.46   | 44.48   | 46.46   | 48.35   | 50.18   | 51.94   | 53.64    |

## ► Model (FSV-1F / 2F)

| Size     | Effective Area(m <sup>2</sup> ) | Fluid | Set Pressure kg/cm <sup>2</sup> |         |          |          |          |          |          |          |          |          |          |          |          |          |          |          |          |  |
|----------|---------------------------------|-------|---------------------------------|---------|----------|----------|----------|----------|----------|----------|----------|----------|----------|----------|----------|----------|----------|----------|----------|--|
|          |                                 |       | 1                               | 2       | 3        | 4        | 5        | 6        | 7        | 8        | 9        | 10       | 11       | 12       | 14       | 16       | 18       | 19       | 20       |  |
| 15A      | 108.87                          | S     | 91.42                           | 132.98  | 174.53   | 216.09   | 257.65   | 299.20   | 340.76   | 382.31   | 423.87   | 465.43   | 506.98   | 548.54   | 631.65   | 714.76   | 797.87   | 880.98   | 964.09   |  |
|          |                                 | A     | 143.53                          | 217.55  | 291.57   | 365.59   | 439.61   | 513.63   | 587.65   | 661.67   | 735.69   | 809.71   | 883.73   | 957.75   | 1105.79  | 1253.84  | 1401.88  | 1549.92  | 1697.96  |  |
| 20A      | 176.71                          | S     | 2.18                            | 3.08    | 3.77     | 4.35     | 4.87     | 5.33     | 5.76     | 6.16     | 6.53     | 6.89     | 7.22     | 7.54     | 8.15     | 8.71     | 9.24     | 9.49     | 9.74     |  |
|          |                                 | A     | 1555.33                         | 226.23  | 296.93   | 367.63   | 438.32   | 509.02   | 579.72   | 650.42   | 721.11   | 791.81   | 862.51   | 933.20   | 1074.60  | 1215.99  | 1357.39  | 1498.79  | 1640.19  |  |
| 25A      | 283.53                          | S     | 244.19                          | 370.11  | 496.04   | 621.97   | 747.90   | 873.82   | 999.75   | 1125.68  | 1251.61  | 1377.53  | 1503.46  | 1629.39  | 1891.25  | 2153.10  | 2384.96  | 2580.82  | 2736.68  |  |
|          |                                 | A     | 3.70                            | 5.24    | 6.42     | 7.41     | 8.28     | 9.07     | 9.80     | 10.48    | 11.11    | 11.71    | 12.29    | 12.83    | 13.86    | 14.82    | 15.72    | 16.15    | 16.57    |  |
| 32A~ 40A | 706.86                          | S     | 249.55                          | 362.99  | 476.42   | 589.85   | 703.29   | 816.72   | 930.15   | 1043.59  | 1157.02  | 1270.45  | 1383.89  | 1497.32  | 1724.19  | 1951.05  | 2177.92  | 2404.79  | 2631.65  |  |
|          |                                 | A     | 391.79                          | 583.84  | 775.89   | 967.94   | 1159.99  | 1402.04  | 1604.09  | 1806.14  | 2008.19  | 2210.24  | 2412.29  | 2614.34  | 3068.45  | 3422.55  | 3826.65  | 4280.75  | 4734.85  |  |
| 50A      | 1134.11                         | S     | 5.94                            | 8.41    | 10.29    | 11.89    | 13.29    | 14.56    | 15.72    | 16.81    | 17.83    | 18.79    | 19.71    | 20.59    | 22.24    | 23.77    | 25.22    | 25.98    | 26.58    |  |
|          |                                 | A     | 62.15                           | 904.95  | 1187.75  | 1470.55  | 1753.34  | 2036.14  | 2318.94  | 2601.73  | 2884.53  | 3167.33  | 3450.13  | 3732.92  | 4298.52  | 4864.11  | 5429.71  | 5712.50  | 5995.30  |  |
| 65A      | 1885.74                         | S     | 976.77                          | 1480.49 | 1984.22  | 2487.94  | 2991.67  | 3495.40  | 3999.12  | 4502.85  | 5006.57  | 5510.30  | 6014.02  | 6517.75  | 7525.20  | 8532.65  | 9540.10  | 10042.65 | 10545.20 |  |
|          |                                 | A     | 14.82                           | 20.95   | 25.66    | 29.63    | 33.13    | 36.29    | 39.20    | 41.91    | 44.45    | 46.86    | 49.14    | 51.33    | 55.44    | 59.22    | 62.86    | 64.59    | 66.26    |  |
| 80A      | 2922.47                         | S     | 98.20                           | 1451.93 | 1905.66  | 2359.39  | 2813.12  | 3266.85  | 3720.58  | 4174.31  | 4628.04  | 5081.77  | 5535.50  | 5989.23  | 6996.69  | 7804.14  | 8711.59  | 9165.33  | 9619.06  |  |
|          |                                 | A     | 1567.16                         | 2375.35 | 3183.55  | 3991.74  | 4799.94  | 5608.13  | 6416.32  | 7224.52  | 8032.71  | 8840.90  | 9649.10  | 10457.29 | 12073.68 | 13689.07 | 15304.46 | 16445.85 | 17292.24 |  |
| 100A     | 4536.46                         | S     | 2377                            | 3362    | 4118     | 4755     | 5316     | 5823     | 6290     | 6724     | 7132     | 7518     | 7885     | 8235     | 88.95    | 9509     | 10086    | 10362    | 106.32   |  |
|          |                                 | A     | 1639.76                         | 2442.20 | 3188.64  | 3923.08  | 4677.51  | 5431.95  | 6186.39  | 6940.83  | 7695.27  | 8449.70  | 9204.14  | 9958.58  | 1167.45  | 12976.33 | 14485.21 | 15239.64 | 15994.08 |  |
| 125A     | 7088.22                         | S     | 2605.80                         | 3949.62 | 5293.44  | 6637.26  | 7981.09  | 9324.91  | 10668.73 | 12012.56 | 13356.38 | 14700.20 | 16044.03 | 17387.85 | 20755.50 | 22763.14 | 25450.79 | 26794.61 | 28138.43 |  |
|          |                                 | A     | 3953                            | 5590    | 68.47    | 79.08    | 88.39    | 96.82    | 104.58   | 111.80   | 118.59   | 125.00   | 131.10   | 136.93   | 147.90   | 158.11   | 167.71   | 172.30   | 176.78   |  |
| 150A     | 10886.89                        | S     | 2572.26                         | 3741.46 | 4910.67  | 6079.88  | 7249.09  | 8418.30  | 9587.50  | 10756.71 | 11925.92 | 13095.13 | 14264.33 | 15433.54 | 17719.6  | 20103.37 | 22487.14 | 23618.00 | 24787.20 |  |
|          |                                 | A     | 4038.39                         | 6121.01 | 8203.64  | 10286.26 | 12368.88 | 14451.50 | 16534.12 | 18616.74 | 20699.36 | 22781.99 | 24864.61 | 26947.23 | 3112.47  | 3527.71  | 3942.95  | 41825.82 | 43630.24 |  |
| 200A     | 17671.46                        | S     | 61.26                           | 86.64   | 106.11   | 122.52   | 136.98   | 150.06   | 162.08   | 173.27   | 183.78   | 193.72   | 203.18   | 212.12   | 229.21   | 245.04   | 259.61   | 273.03   | 285.32   |  |
|          |                                 | A     | 3992.84                         | 5807.76 | 7622.69  | 9437.61  | 11252.54 | 13067.46 | 14882.39 | 16697.31 | 18512.24 | 20327.16 | 22142.09 | 23957.01 | 27586.86 | 31216.71 | 34846.56 | 36661.49 | 38476.41 |  |
| 200A     | 17671.46                        | S     | 6288.67                         | 9501.46 | 12734.25 | 15967.04 | 19199.83 | 22432.62 | 25665.41 | 28898.20 | 32131.00 | 35363.79 | 38596.58 | 41829.37 | 48249.33 | 54709.31 | 61169.29 | 64589.16 | 67999.03 |  |
|          |                                 | A     | 9509                            | 13448   | 16470    | 19018    | 21632    | 24246    | 26860    | 29474    | 32088    | 34702    | 37316    | 39930    | 43544    | 47158    | 50772    | 54386    | 58000    |  |
| 200A     | 17671.46                        | S     | 6288.81                         | 9074.63 | 11910.45 | 14746.27 | 17582.09 |          |          |          |          |          |          |          |          |          |          |          |          |  |