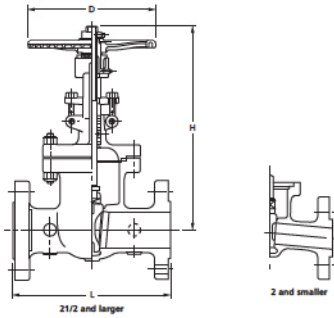


Class 600 GATE VALVE

Pressure-Temperature Rating: ASME B16.34

600UMA

600UMAM



Materials

| Parts | 600UMA | 600UMAM |
|--------------------|-------------------|---------|
| Body | CF8 | CF8M |
| Bonnet | CF8 | CF8M |
| Stem | 304 | 316 |
| Disc* | CF8 | CF8M |
| Gland | 304 | 316 |
| Gland flange | CF8 | |
| Gland packing | Refer to Page 10 | |
| Gasket | Refer to Page 10 | |
| Yoke** | CF8 | |
| Yoke sleeve | Ductile Ni-resist | |
| Handwheel | Ductile iron | |
| Gland bolt/nut | B8/8 | |
| Gland bolt pin | 403 | |
| Bonnet bolt/nut | B8/8 | |
| Grease nipple*** | Stainless steel | |
| Thrust bearing**** | Steel | |
| Bushing*** | Carbon | Carbon |
| Name plate | Aluminum | |

*Body seats and/or disc seats can be optionally hard-faced.
 **Yoke is separated from bonnet for size 8 and larger.
 For size 2 and larger *For size 6 and larger
 Note: Flexible wedge for all sizes

| Items | |
|-------------------------|-----------------------|
| Face to face dimensions | ASME B16.10 Class 600 |
| End flange dimensions | ASME B16.5 Class 600 |
| Wall thickness | ASME B16.34 Class 600 |

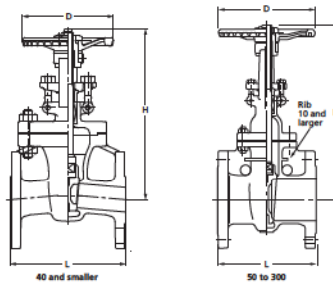
| Nominal Size | | 1/2 | 3/4 | 1 | 1 1/2 | 2 | 2 1/2 | 3 | 4 | 6 | 8 | 10 | 12 |
|--------------|-----|------|------|------|-------|------|-------|------|------|------|------|------|------|
| | | 15 | 20 | 25 | 40 | 50 | 65 | 80 | 100 | 150 | 200 | 250 | 300 |
| L | in. | 6.50 | 7.48 | 8.50 | 9.49 | 11.5 | 13.0 | 14.0 | 17.0 | 22.0 | 26.0 | 31.0 | 33.0 |
| | mm | 165 | 190 | 216 | 241 | 292 | 330 | 356 | 432 | 559 | 660 | 787 | 838 |
| H (open) | in. | 8.27 | 8.82 | 9.88 | 13.1 | 17.8 | 19.0 | 21.5 | 26.6 | 35.6 | 44.4 | 52.3 | 59.9 |
| | mm | 210 | 224 | 251 | 333 | 451 | 482 | 545 | 676 | 904 | 1128 | 1329 | 1521 |
| D | in. | 3.94 | 3.94 | 5.51 | 7.09 | 7.87 | 8.86 | 9.84 | 13.8 | 17.7 | 19.7 | 23.6 | 26.8 |
| | mm | 100 | 100 | 140 | 180 | 200 | 225 | 250 | 350 | 450 | 500 | 600 | 680 |

10K GATE VALVE

Pressure-Temperature Rating: JIS B2220

10UMA(T)

10UMAM(T)



Materials

| Parts | 10UMA(T)* | 10UMAM(T)* |
|------------------|-------------------|------------|
| Body | SCS13A | SCS14A |
| Bonnet | SCS13A | SCS14A |
| Stem | SUS304 | SUS316 |
| Disc | SCS13A | SCS14A |
| Gland | SUS304 | SUS316 |
| Gland flange | SCS13A | |
| Gland packing | Refer to Page 10 | |
| Gasket | Refer to Page 10 | |
| Yoke sleeve | Ductile Ni-resist | |
| Yoke** | FCD-5 | |
| Handwheel | FCD400-15 | |
| Gland bolt/nut | SUS304/304 | |
| Bonnet bolt/nut | SUS304/304 | |
| Grease nipple*** | SUS303 | |
| Name plate | A1050P | |

*(T) Suffixing stands for the provision of ceramic filled PTFE gaskets
 **Yoke is separated from bonnet for 250 and larger.
 ***For size 250 and larger
 Note: * Body seats and/or disc seats can be optionally hard-faced.
 * Flexible wedge for all sizes

| Items | |
|-------------------------|-----------------------|
| Face to face dimensions | ASME B16.10 Class 150 |
| End flange dimensions | JIS B2220 10K |
| Wall thickness | ASME B16.34 Class 150 |

| Nominal Size | | 1/2 | 3/4 | 1 | 1 1/4 | 1 1/2 | 2 | 2 1/2 | 3 | 4 | 5 | 6 | 8 | 10 | 12 |
|--------------|-----|------|------|------|-------|-------|------|-------|------|------|------|------|------|------|------|
| | | 15 | 20 | 25 | 32 | 40 | 50 | 65 | 80 | 100 | 125 | 150 | 200 | 250 | 300 |
| L | in. | 4.25 | 4.61 | 5.00 | 5.51 | 6.50 | 7.01 | 7.48 | 7.99 | 9.02 | 10.0 | 10.5 | 11.5 | 13.0 | 14.0 |
| | mm | 108 | 117 | 127 | 140 | 165 | 178 | 190 | 203 | 229 | 254 | 267 | 292 | 330 | 356 |
| H (open) | in. | 7.91 | 8.31 | 8.82 | 9.45 | 11.2 | 13.2 | 14.7 | 17.5 | 20.6 | 23.9 | 28.0 | 36.4 | 44.3 | 52.6 |
| | mm | 201 | 211 | 224 | 240 | 284 | 336 | 374 | 444 | 523 | 606 | 711 | 924 | 1126 | 1336 |
| D | in. | 3.54 | 3.54 | 3.94 | 3.94 | 5.51 | 6.30 | 7.09 | 7.87 | 8.86 | 9.84 | 9.84 | 11.8 | 13.8 | 15.8 |
| | mm | 90 | 90 | 100 | 100 | 140 | 160 | 180 | 200 | 225 | 250 | 250 | 300 | 350 | 400 |