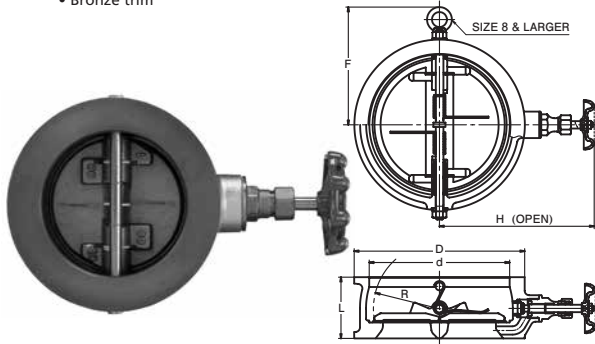


10K

WAFER TYPE CHECK VALVE

Fig. 10FWZ

• Bronze trim



Materials

Parts	Material	JIS Spec.
Body	Cast Iron	FC250+NBR
Pin	Stainless Steel	SUS304
Disc	Bronze	CAC406
Nut 6 to 18	Stainless Steel	SUS304
Plug 1 1/2 to 5	Carbon Steel	S45CH

Bypass Valve

Parts	Material	JIS Spec.
Bonnet 1 1/2 to 5	Brass	C3771BE
6 to 18	Bronze	CAC406
Stem	Brass	C3531
Disc	Brass	C3531
Body seat ring	Brass	C3531
Grand packing	Asbestos-free	

Design Specifications

Items	
Shell wall thickness and general valve design	KITZ Standard
Face-to-face dimensions, end-to-end dimensions	KITZ Standard
End flange dimensions, gasket contact facing	Wafer Type (JIS 10K)

80°C Non-shock water: 1.4 MPa
80°C Water, oil, air: 1.0 MPa

Dimensions

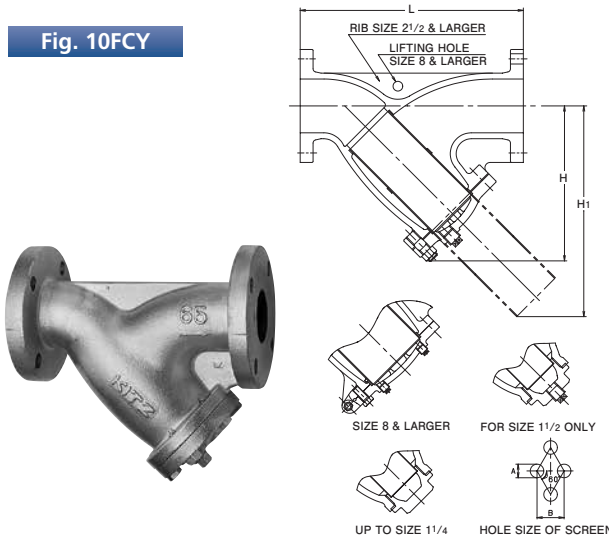
Valve Size	B	1 1/2	2	2 1/2	3	4	5	6	8	10	12	14	16	18
L	A	40	50	65	80	100	125	150	200	250	300	350	400	450
H	Height (OPEN)	54	56	56	59	66	72	78	96	109	145	184	191	204
F		128	143	150	156	169	183	216	243	290	315	330	355	388
D		—	—	—	—	—	—	—	187	229	254	272	301	338
d		86	101	121	131	156	187	217	267	330	375	420	483	538
d		54	63	77	90	116	143	169	220	273	324	356	406	457
R		26	33	37	44	55	67	78	105	129	155	170	195	220

10K

Y-PATTERN STRAINER

Bolted cover, Y-pattern body, Punched stainless steel plate screen.

Fig. 10FCY



Materials

Parts	Material	JIS Spec.
Body	Cast Iron	FC200
Cap	Brass	C3771BE
Cover 3/8 to 1 1/2	Cast Iron	FC200
2 & larger	Stainless Steel	SUS304
Screen	Asbestos-free	
Gasket	Carbon Steel	
Cover bolt/nut	Carbon Steel	
Plug	Stainless Steel	SUS304

Screen dimensions

Valve Size	A	B
3/8 to 2	1.4ø	2.4mm
2 1/2 to 5	1.5ø	2.5mm
6 & 8	3.0ø	5.0mm
10 to 14	5.0ø	7.0mm

120°C Non-shock water: 1.4 MPa
120°C Water, oil, air: 1.0 MPa
120°C Gas: 0.2 MPa, Saturated steam: 0.7 MPa

Strainer dimensions

Valve Size	B	3/8	1/2	3/4	1	1 1/4	1 1/2	2	2 1/2	3	4	5	6	8	10	12	14
L	A	10	15	20	25	32	40	50	65	80	100	125	150	200	250	300	350
L	Face-to-face	115	125	140	150	170	190	230	305	360	415	465	515	580	680	800	950
H	Height	46	57	63	77	90	100	138	208	237	280	325	370	457	536	625	741
H1		64	82	91	114	134	146	173	289	335	388	446	497	643	768	893	1047