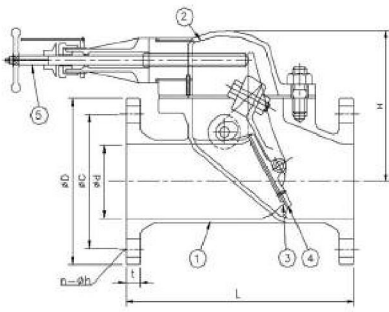
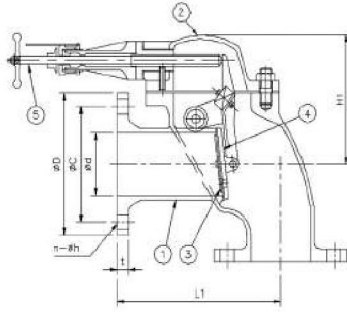


SERIES F 3060 - JIS 5K, 10K Cast Steel Storm Valve Vertical & Angle Type

Manufactured in accordance to JIS F 7400 / Flanges as per JIS B 2220 - 5K, 10K



SERIES F 3060 Vertical Storm Valve



SERIES F 3060 Angle Storm Valve

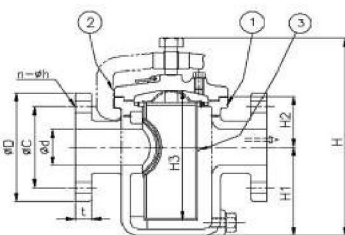
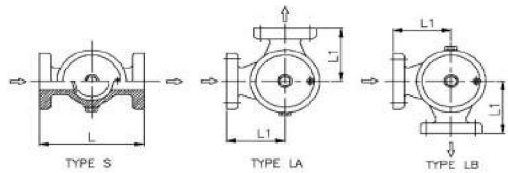
Part No.	Material
1 - Body	Cast Bronze
2 - Bonnet	Cast Bronze
3 - Seat	NBR
4 - Disc	Cast Bronze, Stainless Steel
5 - Stem	Brass, Stainless Steel

Test Pressure MPa[Kgf/cm ²]	
Body	0.5 [5.0]
Seat	-

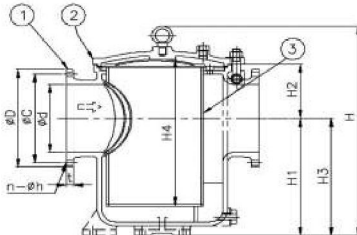
SIZE	d	FLANGE 5K				FLANGE 10K				L	H	L1	H1
		C	D	n-h	t	C	D	n-h	t				
050	50	105	130	4-15	14	120	155	4-19	16	210	131	170	130
065	65	130	155	4-15	14	140	175	4-19	18	240	141	200	140
080	80	145	180	4-19	14	150	185	8-19	18	260	155	220	154
100	100	165	200	8-19	16	175	210	8-19	18	280	171	250	170
125	125	200	235	8-19	16	210	250	8-23	20	330	195	270	198
150	150	230	265	8-19	18	240	280	8-23	22	360	212	310	211
200	200	280	320	8-23	20	290	330	12-23	22	500	265	400	265

SERIES F 7121 - JIS 5K Cast Iron & Cast Steel Can Water Filter

Manufactured in accordance to JIS F 7200 / Flanges as per JIS B 2220 - 5K



SERIES F 7121 [25A~100A] Water Strainer



SERIES F 7121 [125A~400A] Water Strainer

Part No.	Material
1 - Body	Cast Iron / Cast Steel
2 - Cover	Cast Iron / Cast Steel
3 - Strainer Cylinder	Stainless Steel

Test Pressure MPa[Kgf/cm ²]	
Body	0.3 [3.0]

SIZE	d	C	D	n-h	t	H	H1	H2	H3	H4
025	25	75	95	4-12	14	180	75	34,5	100	-
032	40	90	115	4-15	16	215	85	42	119	-
040	40	95	120	4-15	16	215	85	42	119	-
050	50	105	130	4-15	16	240	100	49	140	-
065	65	130	155	4-15	18	305	135	59	184	-
080	80	145	180	4-19	18	340	152	68	209	-
100	100	165	200	8-19	20	400	185	80	251	-
125	125	200	235	8-19	20	485	207	125	235	295
150	150	230	265	8-19	22	575	258	145	290	360
200	200	280	320	8-23	24	665	320	170	350	440
250	250	345	385	12-23	26	825	412	210	450	565
300	300	390	430	12-23	28	920	473	235	515	645
350	335	435	480	12-25	30	1030	529	265	575	780
400	380	495	540	16-25	30	1135	595	300	645	830