

Other Valves

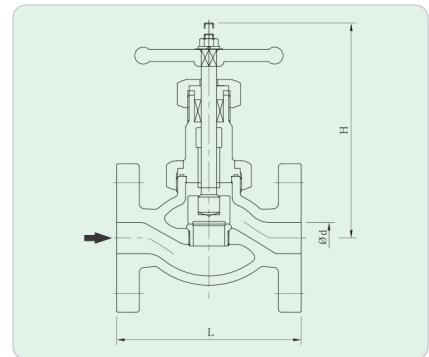
GSO-1F | Globe Valve

► Specifications

Working Pressure (kgf/cm ²)	16
Working Temperature (°C)	220
Connection	JIS Flanged
Materials	Body : Ductile Iron
	Trim : Stainless Steel

► Dimensions

Model	Size	d	JIS 5K FF		JIS 16K FF	
			L	H	L	H
GSO-1F	15A	15	100	135	110	135
	20A	20	110	145	120	145
	25A	25	120	167	130	167
	32A	32	140	180	160	180
	40A	40	160	195	180	195



GSO-1S | Globe Valve

► Specifications

Working Pressure (kgf/cm ²)	16
Working Temperature (°C)	220
Connection	PT Screwed
Materials	Body : Ductile Iron
	Trim : Stainless Steel

► Dimensions

Model	Size	d	d1	L	H	Lift	WT (kg)
GSO-1S	15A	15	1/2"	65	83	5	0.5
	20A	20	3/4"	80	85	6	0.8
	25A	25	1"	90	105	8	1.1

