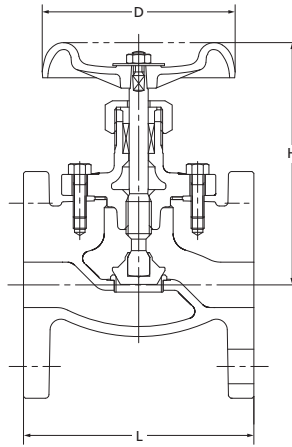


10K Globe Valve

10SPBAF
B.B.I.S.
FF-flanged



F-F dimension : JIS B 2051
End flanges : JIS B 2239 10K

120°C Static water.....1.4MPa
220°C Steam, air, gas, oil.....1.2MPa
300°C Steam, air, gas, oil.....1.0MPa

●Use for lubricating or hydraulic oil is acceptable. Contact KITZ Corporation for technical advice, if valves are used as heat transfer media.

Materials

Parts	JIS material
Body	FCD-5
Bonnet	FCD-5
Stem	SUS420J2
Disc	SUS403
Body seat ring	SUS403
Gland	SUS403
Gland packing	Non-asbestos Packing
Packing nut	FCD-5
Handwheel	FCD450
Wheel nut	SS400
Bonnet bolt	Carbon Steel
Gasket	Non-asbestos Sheet
Name plate	A1050P

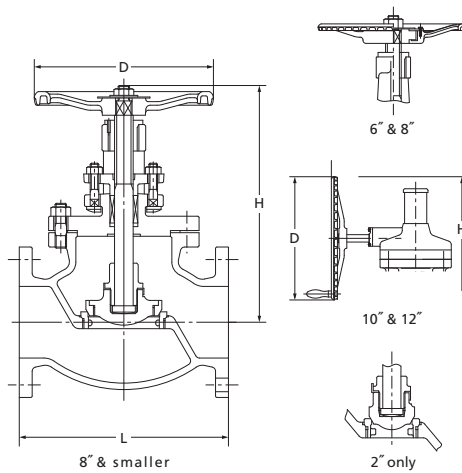
Dimensions

Size	mm						
	mm	15	20	25	32	40	50
	inch	1/2	3/4	1	1 1/4	1 1/2	2
L		108	117	127	140	165	203
H (open)		123.5	124	146	161.5	179	197.5
D		80	80	100	115	115	135

NOTE : For flange dimensions, refer to Page 40. ※RF-flanged ends shall be optionally available.

10K Globe Valve

10SPBOF
B.B.O.S.Y.
FF-flanged



F-F dimension : JIS B 2002
End flanges : JIS B 2239 10K

120°C Static water.....1.4MPa
220°C Steam, air, gas, oil.....1.2MPa
300°C Steam, air, gas, oil.....1.0MPa

●Use for lubricating or hydraulic oil is acceptable. Contact KITZ Corporation for technical advice, if valves are used as heat transfer media.

●Bolting materials will be changed for servicing high temperature exceeding 225°C. Contact KITZ Corporation for detailed information.

Materials

Parts	JIS material
Body	FCD-5
Bonnet	FCD-5
Stem	SUS403
Disc	FCD-5 (2" : SUS403)
Disc seat ring	SUS403
Body seat ring	SUS403
Lock nut	FCD-5
Gland	FCD-5
Gland packing	Non-asbestos Packing
Handwheel	FCD400
Wheel nut	SS400
Packing washer	SUS403
Bonnet bolt/nut	SS400
Gland bolt/nut	SS400
Gasket	Stainless Foil Inserted Flexible Graphite
Name plate	A1050P
Yoke bush	C6782BE: 2" ~ 8"

Dimensions

Size	mm									
	mm	50	65	80	100	125	150	200	250	300
	inch	2	2 1/2	3	4	5	6	8	10	12
L		203	216	241	292	356	406	495	622	698
H (open)		302	317	356	377	460	524	585	880	943
D		200	225	250	250	300	350	400	360	360

NOTE : For flange dimensions, refer to Page 40. ※RF-flanged ends shall be optionally available.