

PN16

IRON WAFER CHECK VALVE

Dual plate, No by-pass valve mounted,
Wafer type body to PN16

16 bar at 80°C Non-shock water (NBR seat) 16 bar at 100°C Non-shock water (EPDM seat)

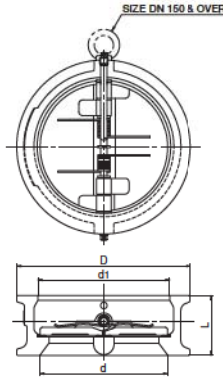


Fig. PN16FWNBM

• NBR seat

Fig. PN16FWNBME

• EPDM seat



Materials

Parts	Material	ASTM Spec.	
		PN16FWNBM	PN16FWNBME
Body	Cast iron	A126 CLB	
Seat*	Rubber	NBR	EPDM
Disc**	Stainless steel	A351 Gr.CF8M	
Pin	Stainless steel	A276 Type 304	
Plug	Stainless steel	A276 Type 304	
Spring	Stainless steel	A313 Type 316	

*Vulcanized to the body.

**Bronze disc & 304SS disc available upon request.

Design Specifications

Items	
Shell Wall thickness	KITZ Standard
Face-to-face or End-to-end dimensions	KITZ Standard
End Connection	Wafer type(EN1092 PN16)

Dimensions

Valve Size	NPS	2	2½	3	4	5	6	8	10	12	mm
	DN	50	65	80	100	125	150	200	250	300	
L		54	54	57	64	70	76	95	108	143	
D		109	129	144	164	194	220	275	331	386	
d1		60	73	89	114	141	168	219	273	324	
d		55	68	82	112	134	163	207	263	305	

PN16

IRON Y-PATTERN STRAINER

Bolted cover, Y-Pattern body, Punched stainless steel plate screen, Flanged ends.

16 bar at 120°C, 12.8 bar at 200°C, P-T rating : See page 01

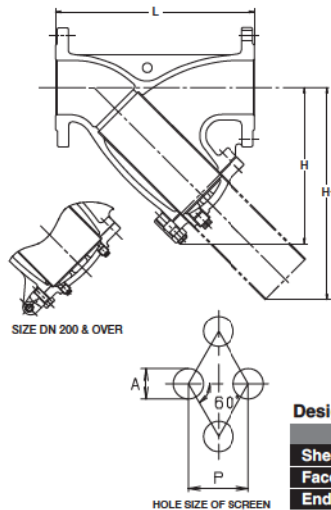


Fig. EN16FCY

• Screen : 304

Fig. EN16FCYM

• Screen : 316



Materials

Parts	Material	Specifications	
		EN16 FCY	EN16FCYM
Body	Cast Iron	EN-GJL 200	
Cover	Cast Iron	EN-GJL 200	
Screen	Stainless Steel	ASTM A276 Type304	ASTM A276 Type316
Gasket		Graphite	
Cover bolt/nut		Carbon Steel	
Plug	Stainless Steel	ASTM A276 Type304	

Screen dimensions

Valve Size	A(e)	P(mm)
DN 50 only	1.4	2.4
DN 65 to 125	1.5	2.5
DN 150 & 200	3.0	5.0
DN 250 & 300	5.0	7.0

Design Specifications

Items	
Shell wall thickness	KITZ Standard
Face-to-face or End-to-end dimensions	KITZ Standard
End Connection	EN 1092-2 PN16

Dimensions

Valve Size	NPS	2	2½	3	4	5	6	8	10	12	mm
	DN	50	65	80	100	125	150	200	250	300	
L Face-to-face		250	285	315	370	420	490	570	680	800	
H Height		168	212	242	284	325	370	440	515	600	
H1		208	289	335	388	446	497	589	694	818	