

Direct-acting Type for Steam Application – GD-30 series

GD-30 is suitable for:

- Food machinery;
- Laundry equipment;
- Medical equipment;
- Air-conditioning equipment;
- Best choice for steam line of small flow rate.

GD-30 is a direct-acting type of compact and lightweight. It is highly durable with valve and valve seat made of stainless steel, and with external pressure type bellows. GD-30S is optimal for food and medical equipment with stainless steel wetted parts.

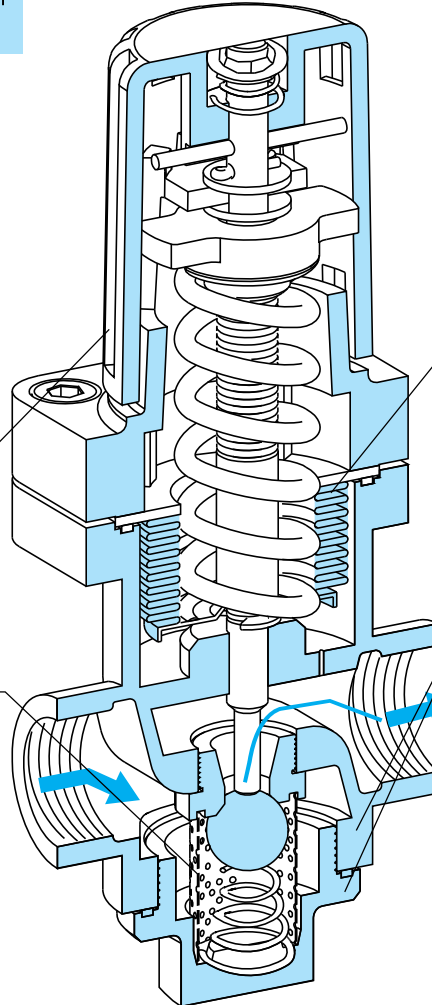


NO NEED OF TOOL

Reduced pressure can be easily adjusted by handle.

ANTI SCALE

Free of scale trouble at valve and valve seat with strainer of 60 mesh.



HIGH-PERFORMANCE BELLOWS

High performance and durability during long-time service with external pressure type bellows made of SUS316L (GD-30S).

HIGH CORROSION RESISTANCE

Body and cap made of SCS14A for high corrosion resistance. (GD-30S)



Material is shown on back surface of the cap for easy recycling.



GD-30 with CAC406 body



GD-30S with stainless-steel wetted parts

GD-30,30S

- Direct type Pilot type Piston Diaphragm
- Bellows Internal sensing External sensing Stainless steel
- With handle Built-in strainer Low pressure Remote
- Valve leakage 0 Nylon

■Features

1. Sophisticated design, compact and lightweight.
2. Simple structure, great durability and easy maintenance.
3. Easy to install due to screwed connections.
4. Pressure adjustment is handle-operated without any tool.
5. Highly wear-resistance and durability of stainless steel made valve and valve seat.
6. A screen (60 mesh) is incorporated to protect the valve and valve seat from dirt.
7. Excellent workability accomplished by the external pressure type bellows of pressure sensing part.



GD-30

GD-30S

Pressure Reducing Valve

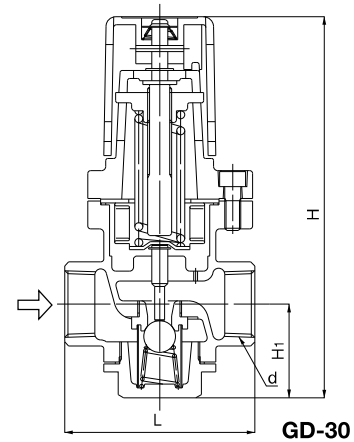
■Specifications

Model	GD-30	GD-30S	
Nominal size	15A-25A 40A · 50A	15A-25A	
Application	Steam		
Inlet pressure	1.7 MPa or less	2.0 MPa or less	
Reduced pressure	(A) 0.02-0.1 MPa (spring color: yellow)		
	(B) 0.05-0.4 MPa (spring color: blue)		
	(C) 0.35-1.0 MPa (spring color: yellow-green)		
Minimum differential pressure	0.05 MPa		
Maximum pressure reduction ratio	10:1		
Maximum temperature	210°C	220°C	
Valve seat leakage	0.1% or less of rated flow rate		
Material	Body	Cast bronze	Cast stainless steel (SCS14A)
	Valve, valve seat	Stainless steel	
	Bellows	Phosphor bronze	Stainless steel
Connection	JIS Rc screwed		

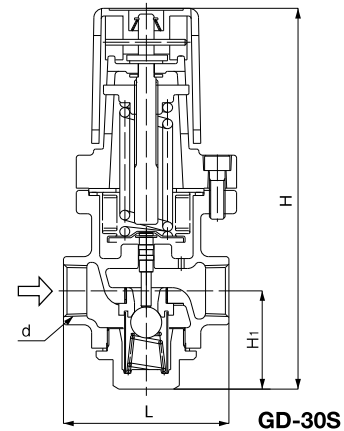
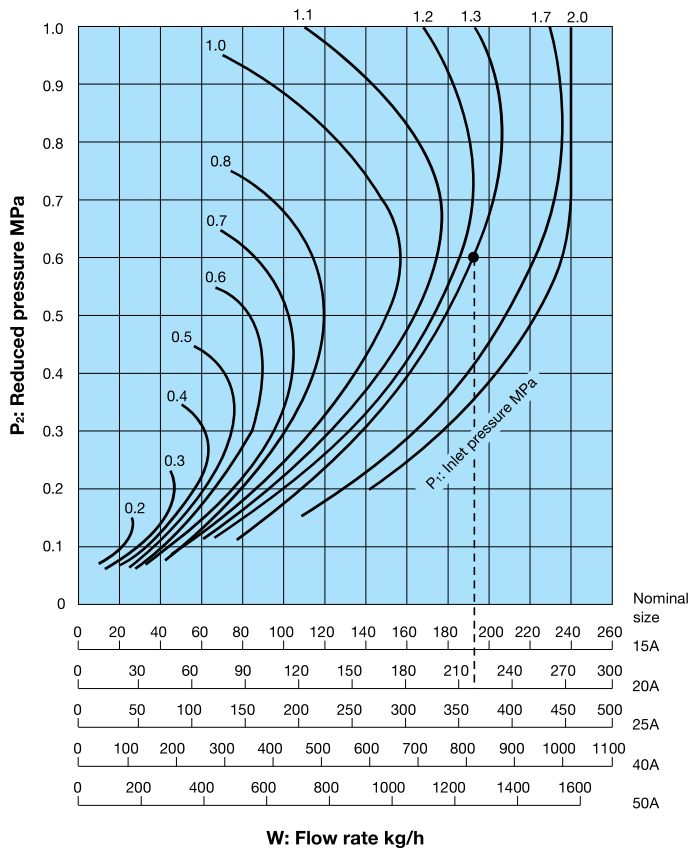
■ Dimensions (mm) and Weights (kg)

Nominal size	d	L	H	H ₁	Weight
15A	Rc 1/2	80	191 (196)	47 (50.5)	1.9
20A	Rc 3/4	85	191 (196)	47 (50.5)	1.9
25A	Rc 1	95	191 (196)	47 (50.5)	2.0
40A	Rc 1-1/2	140	307	77	10.1
50A	Rc 2	150	307	77	10.4

* The values in parentheses are the dimensions of the GD-30S.



■ Nominal Sizes Selection Chart (For Steam)



[Example]

When selecting the nominal size of a pressure reducing valve whose inlet pressure (P_1), reduced pressure (P_2), and flow rate are 1.3 MPa, 0.6 MPa, and 200 kg/h, respectively, first find the intersection point of the inlet pressure of 1.3 MPa and the reduced pressure of 0.6 MPa. Trace down vertically from this intersection point to find the nominal size with a flow rate of 200 kg/h or over. In this case, the nominal size is 20A.

Note) The nominal sizes selection chart is based on measured data. As you can see, there is no specific relationship between the pressure difference and the flow rate in the chart above, and it is, therefore, impossible to calculate a fixed C_v value.

* Set the safety factor at 80 to 90%.