

Bucket Type Steam Trap TB-20/TB-20F

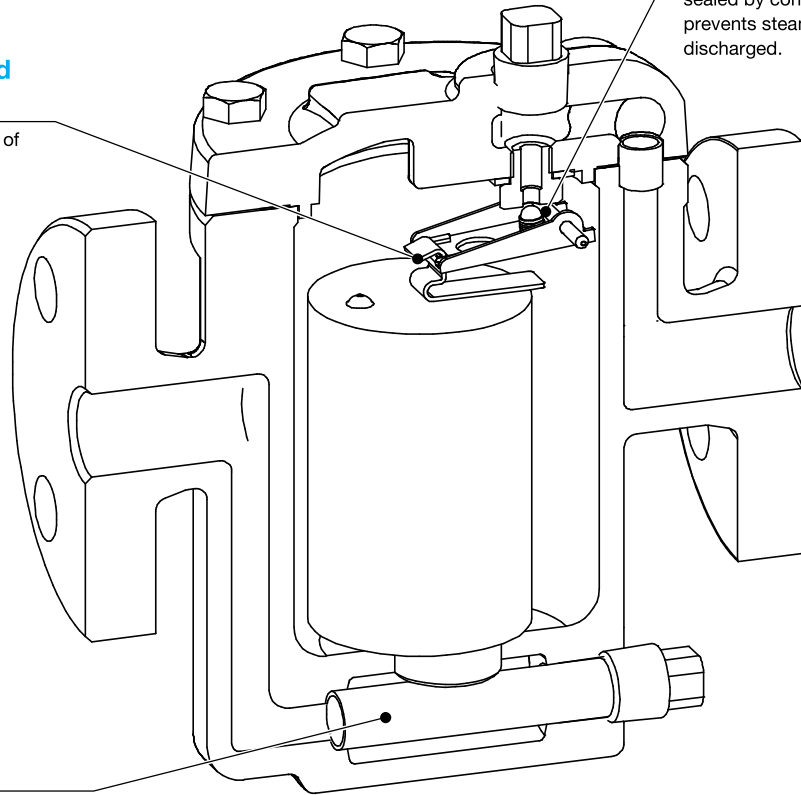
5
Steam Trap

High reliability and long life

All internal parts are made of stainless steel.

Water seal

The valve seat will be always sealed by condensate, which prevents steam from being discharged.



Strainer

Scale-resistant thanks to self-contained strainer.

Water hammer resistance

High resistance to water hammer, as the bucket is open and there are no sealed parts.



TB-20



TB-20F

TB-20,20F



- Bucket Float Disc Bellows
- Bimetal Wafer By-pass Stainless steel
- Connector **Right to Left** Down to Up Up to Down



TB-20



TB-20F

5
Steam Trap

■Features

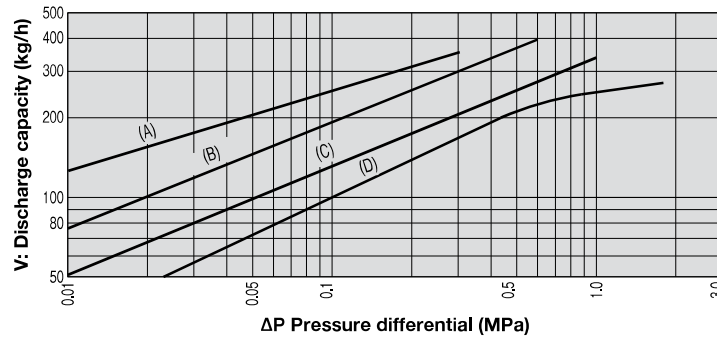
1. Excellent durability ensured by unique internal structure (hemispherical valve, etc).
2. The upper plug is made of stainless steel, and is excellent in wear resistance.
3. Reliable performance due to all stainless steel made internal parts and the unique internal structure.
4. Super energy saving since intermittent operation removes air adiabatic wall in the heat exchanger and increases heat efficiency considerably.

■Specifications

Model	TB-20	TB-20F	
Nominal size	15A, 20A, 25A		
Connection	JIS Rc screwed	JIS 20K FF flanged	JIS 10K FF flanged
Application	Steam condensate		
Maximum pressure	2.0 MPa		1.0 MPa
Max. differential pressure	(A)	0.3 MPa	
	(B)	0.6 MPa	
	(C)	1.0 MPa	
	(D)	1.6 MPa	—
Max. temperature	220°C		
Material	Body	Ductile cast iron	
	Valve	Stainless steel (heat treated)	
	Valve seat	Stainless steel (heat treated)	

· Available with ASME and EN flanged.

■Discharge Capacity Chart

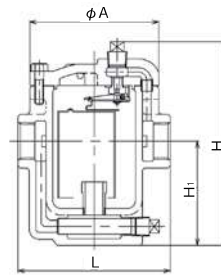


- The discharge capacity shown here is a continuous discharge capacity at the indicated differential pressure.
- In general, select a steam trap with a safety factor twice or threefold the regular level.

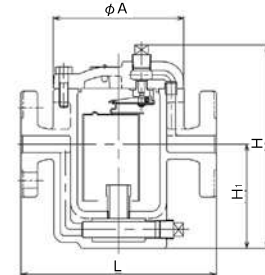
■Dimensions (mm) and Weights (kg)

· TB-20

Nominal size	L	H	H ₁	A	Weight
15A	136	183	94	117	4.3
20A					
25A					



TB-20



TB-20F

· TB-20F

Nominal size	L	H	H ₁	A	Weight
15A	175	183	94	117	5.4
20A					6.0
25A					6.3

- The dimensions of the product with JIS 10K FF flanged and the product with JIS 20K FF flanged are identical.
- The thickness of JIS 10K FF flanges conforms to that of JIS 20K FF flanges.

5 Steam Trap

■Exploded View

Refer to below table on the number of each conversion kits.

No.	Pressure range
K-93070	(A): 0.01-0.3 MPa
K-93071	(B): 0.2-0.6 MPa
K-93072	(C): 0.3-1.0 MPa
K-93073	(D): 0.6-1.6 MPa

* Part names shown in boxes are consumable items.