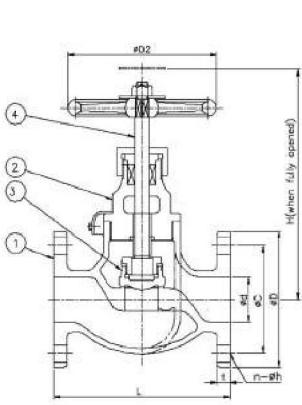
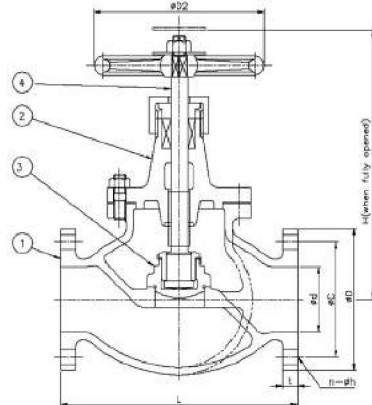


SERIES F 7301 - JIS 5K Bronze Globe Valve

Manufactured in accordance to JIS F 7400 / Flanges as per JIS B 2240 - 5K



SERIES F 7301 DIA 15A~40A Globe Valve



DIA 50A~65A Globe Valve

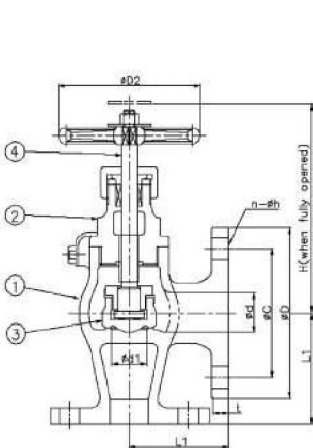
Part No.	Material
1 - Body	Bronze
2 - Bonnet	Bronze
3 - Disc	Bronze
4 - Stem	Brass

Test Pressure MPa[Kgf/cm ²]	
Body	1.05 [10.5]
Seat	0.77 [7.7]

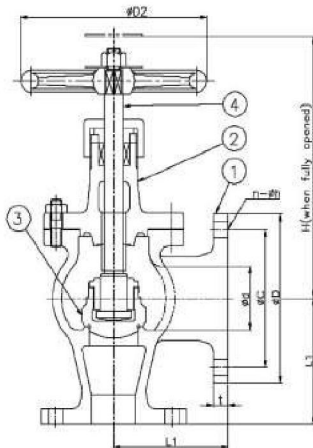
SIZE	d	L	C	D	n-h	t	H	D2	Kg
015	15	100	60	80	4-12	9	130	80	2.02
020	20	110	65	85	4-12	10	140	100	2.86
025	25	120	75	95	4-12	10	160	125	3.54
032	32	140	90	115	4-15	12	170	125	5.00
040	40	160	95	120	4-15	12	190	140	6.48
050	50	210	105	130	4-15	14	235	140	11.7
065	65	250	130	155	4-15	14	260	160	17.0

SERIES F 7302 - JIS 5K Bronze Angle Valve

Manufactured in accordance to JIS F 7400 / Flanges as per JIS B 2240 - 5K



SERIES F 7302 DIA 15A~40A Angle Valve



DIA 50A~65A Angle Valve

Part No.	Material
1 - Body	Bronze
2 - Bonnet	Bronze
3 - Disc	Bronze
4 - Stem	Brass

Test Pressure MPa[Kgf/cm ²]	
Body	1.05 [10.5]
Seat	0.77 [7.7]

SIZE	d	L1	C	D	n-h	t	H	D2	Kg
015	15	55	60	80	4-12	9	120	80	1.98
020	20	60	65	85	4-12	10	130	100	2.73
025	25	65	75	95	4-12	10	145	125	3.44
032	32	80	90	115	4-15	12	150	125	4.77
040	40	85	95	120	4-15	12	165	140	5.99
050	50	100	105	130	4-15	14	200	140	10.1
065	65	115	130	155	4-15	14	220	160	15.6