

AL-17

3

Safety Relief Valve

Full bore type	Lift type	Safety valve	Relief valve
Safety relief valve	Lever type	Closed type	Dash-pot structure
Handle type	Stainless	High pressure gas testing products	
Diaphragm	Non-leakage		

■Features

1. Safety relief valve with the trim parts (valve and valve seat) of stainless steel, offering high corrosion resistance and durability in particular.
2. Popping structure ensures reliable discharge.
3. Blowdown can be adjusted with adjustable ring (seat ring).



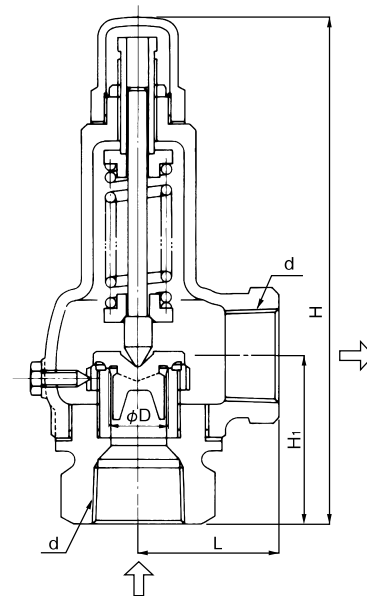
■Specifications

Structure		Closed type
Application		Steam, Air, Cold and hot water, Oil, Other non-dangerous fluids
Working pressure		0.05-1.6 MPa
Maximum temperature		220°C *
Material	Spring case	Ductile cast iron
	Valve, valve seat	Stainless steel
Connection		JIS Rc screwed

* The maximum temperature is 150°C when using for water, oil, or other liquids.
 · Please refer to the chart in P.3-76 for set pressure range.

■Dimensions and Weights

Nominal size	Dimension (mm)					Flow area $\pi D l$ (mm ²)	Weight (kg)
	d	D	L	H ₁	H		
15A	Rc 1/2	16	40	40	143	20.1	0.9
20A	Rc 3/4	21	45	50	162	34.6	1.2
25A	Rc 1	26	50	60	182	53.0	1.7
32A	Rc 1-1/4	33	60	70	220	85.5	2.9
40A	Rc 1-1/2	41	65	75	238	132.0	3.8
50A	Rc 2	51	80	85	272	204.2	6.3



■ Certified Capacity Table

· For steam (saturation temperature) <Pressure vessel structure standard>

(kg/h)

Pressure MPa \ Nominal size	0.05	0.1	0.2	0.3	0.4	0.5	0.6	0.7	0.8	0.9	1.0	1.1	1.2	1.3	1.4	1.5	1.6
15A	15	20	29	40	50	60	70	80	90	100	109	119	129	139	149	158	168
20A	27	35	51	69	87	104	121	138	155	172	189	206	222	239	256	273	290
25A	42	54	78	105	133	159	186	212	237	263	289	315	341	367	393	418	444
32A	67	87	127	170	215	257	300	342	383	425	467	509	550	592	634	675	716
40A	104	135	196	263	332	397	463	528	592	656	721	786	850	914	979	1042	1106
50A	161	209	303	407	513	615	716	817	916	1016	1116	1216	1315	1414	1514	1612	1712

· For air (20°C) <Pressure vessel structure standard>

(kg/h)

Pressure MPa \ Nominal size	0.05	0.1	0.2	0.3	0.4	0.5	0.6	0.7	0.8	0.9	1.0	1.1	1.2	1.3	1.4	1.5	1.6
15A	25	33	48	65	81	98	114	131	147	164	181	197	214	230	247	264	280
20A	44	57	83	111	140	169	197	226	254	283	311	340	368	397	426	454	483
25A	68	87	127	171	215	258	302	346	390	433	477	521	565	608	652	696	740
32A	108	141	205	276	347	417	488	558	629	699	770	841	911	982	1052	1123	1193
40A	168	218	317	426	535	644	753	862	971	1080	1189	1298	1407	1516	1625	1734	1843
50A	259	338	491	660	828	997	1166	1334	1503	1671	1840	2008	2177	2345	2514	2682	2851

· For water (accumulation: 25%) <Yoshitake standard>

(m³/h)

Pressure MPa \ Nominal size	0.05	0.1	0.2	0.3	0.4	0.5	0.6	0.7	0.8	0.9	1.0	1.1	1.2	1.3	1.4	1.5	1.6
15A	0.2	0.3	0.5	0.6	0.7	0.8	0.8	0.9	1.0	1.0	1.1	1.1	1.2	1.2	1.3	1.3	1.4
20A	0.4	0.6	0.8	1.0	1.2	1.3	1.5	1.6	1.7	1.8	1.9	2.0	2.1	2.2	2.3	2.3	2.4
25A	0.6	0.9	1.3	1.6	1.8	2.1	2.3	2.5	2.6	2.8	2.9	3.1	3.2	3.4	3.5	3.6	3.7
32A	1.0	1.5	2.1	2.6	3.0	3.4	3.7	4.0	4.3	4.5	4.8	5.0	5.2	5.5	5.7	5.9	6.1
40A	1.6	2.3	3.3	4.0	4.7	5.2	5.7	6.2	6.6	7.0	7.4	7.8	8.1	8.4	8.8	9.1	9.4
50A	2.5	3.6	5.1	6.3	7.2	8.1	8.9	9.6	10.3	10.9	11.5	12.0	12.6	13.1	13.6	14.1	14.5

* Please refer to P.3-11 for the calculation procedure for nominal size selection.