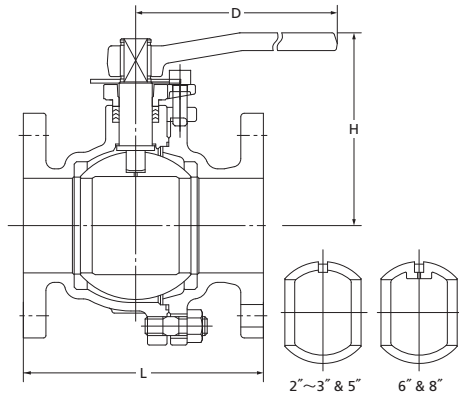


10K Ball Valve Full Bore

10STBF
10STLBF (Gas service)
 FF-flanged



F-F dimension : ASME B16.10
 End flanges : JIS B 2239 10K

Maximum Service Pressure

Code	Valve size	Temperature	Pressure
10STBF	All size	120°C W.O.G.	1.4MPa
	4" and smaller	160°C W.O.G.	1.0MPa
	5" to 8"	140°C W.O.G.	1.0MPa
10STLBF	All size	80°C gas	1.2MPa

● Use for lubricating or hydraulic oil is acceptable.

Materials

Parts	JIS material
Body	FCD-5
Body cap	FCD-5
Stem	SUS403
Ball	SCS13A / SUS304 / SUS304TP
Gland	FCD-5
Gland packing	PTFE
Handle	FCD400
Gasket	PTFE
Packing washer	SUS304 (1/2" ~ 1 1/4")
Ball seat	HYPATITE PTFE *1
Cap bolt/nut	SS400 *2
Gland bolt	SCM435
O ring *3	NBR
Stopper	SUS430
Name plate *3	SUS304

*1 PTFE or C/F PTFE is optionally available.

*2 Different bolt/nut material is required for service exceeding temperature range of 0 ~ 225°C. Contact KITZ Corporation for technical advice.

*3 for 10STLB only

Contact KITZ Corporation for use of valve actuators.

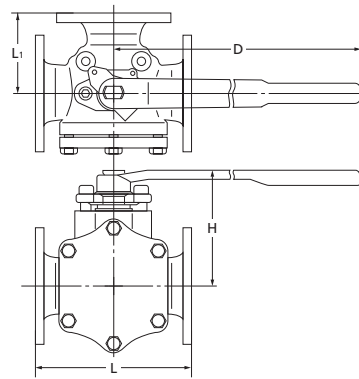
Dimensions

Size	mm	15	20	25	32	40	50	65	80	100	125	150	200
	inch	1/2	3/4	1	1 1/4	1 1/2	2	2 1/2	3	4	5	6	8
L		108	117	127	140	165	178	190	203	229	356	394	457
H		106	109	130	135	115	120	153	162	199	219	293	352
D		130	130	160	160	230	230	400	400	460	460	1000	1500

NOTE : For flange dimensions, refer to Page 40. ※RF-flanged ends shall be optionally available.

10K Ball Valve 3-way 4-seat

10STB4LAF (L port. Full Bore 1 1/2" ~ 4")
10STB4TAF (T port. Full Bore 1 1/2" ~ 4")
10STR4LAF (L port. Reduced Bore 5" & larger)
10STR4TAF (T port. Reduced Bore 5" & larger)



E-E dimension : KITZ Std.
 End flanges : JIS B 2239

120°C W.O.G. 1.0MPa
 150°C W.O.G. 0.4MPa

Materials

Parts	JIS material
Body	FCD-5
Body cap	FCD-5
Ball	SCS13A / SUS304
Stem	SUS304
Ball seat	HYPATITE PTFE
Gland packing	PTFE

Gear operators may be optionally used for 6" and 8".

Dimensions

Size	mm	40	50	65	80	100	125	150	200
	inch	1 1/2	2	2 1/2	3	4	5	6	8
L	(STB)	180	200	240	260	330	—	—	—
	(STR)	—	—	—	—	—	340	400	450
L1	(STB)	90	100	120	130	165	—	170	200
	(STR)	—	—	—	—	—	—	200	225
H	(STB)	143	152	177	190	259	—	—	—
	(STR)	—	—	—	—	—	259	281	323
D	(STB)	400	400	460	460	1000	—	—	—
	(STR)	—	—	—	—	—	1000	1000	1500

NOTE : For flange dimensions, refer to Page 40. ※RF-flanged ends shall be optionally available.