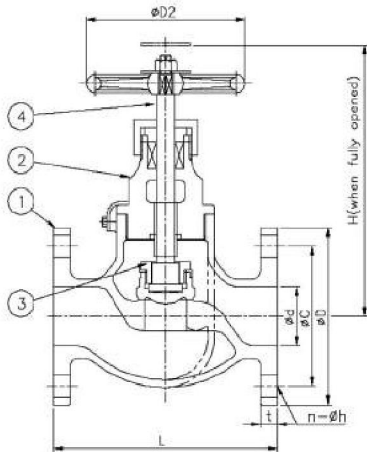
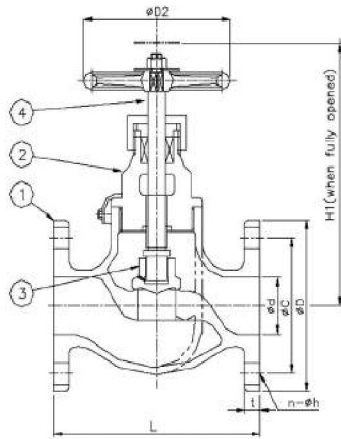


**SERIES F 7303 - JIS 16K Bronze Globe Valve / SERIES F 7409 - JIS 16K Bronze Globe Check Valve**

Manufactured in accordance to JIS F 7400 / Flanges as per JIS B 2240 - 16K



SERIES F 7303 Globe Valve



SERIES F 7409 Globe Check Valve

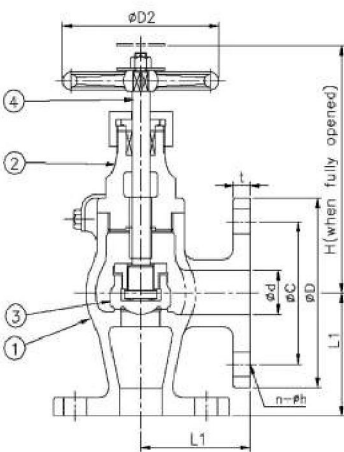
Part No.	Material
1 - Body	Bronze
2 - Bonnet	Bronze
3 - Disc	Bronze
4 - Stem	Brass

Test Pressure MPa[Kgf/cm <sup>2</sup> ]	
Body	3.3 [33.0]
Seat	2.42 [24.2]

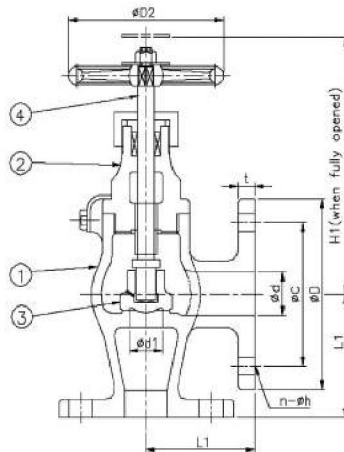
SIZE	d	L	C	D	n-h	t	H	H1	D2	F7303(Kg)	F7409(Kg)
015	15	110	70	95	4-15	12	130	130	80	2,76	2,70
020	20	120	75	100	4-15	14	140	140	100	3,72	3,63
025	25	130	90	125	4-19	14	160	155	125	5,20	5,09
032	32	160	100	135	4-19	16	170	165	125	6,91	6,77
040	40	180	105	140	4-19	16	190	185	140	8,43	8,25

**SERIES F 7304 - JIS 16K Bronze Angle Valve / SERIES F 7410 - JIS 16K Bronze Angle Check Valve**

Manufactured in accordance to JIS F 7400 / Flanges as per JIS B 2240 - 16K



SERIES F 7304 Angle Valve



SERIES F 7410 Angle Check Valve

Part No.	Material
1 - Body	Bronze
2 - Bonnet	Bronze
3 - Disc	Bronze
4 - Stem	Brass

Test Pressure MPa[Kgf/cm <sup>2</sup> ]	
Body	3.3 [33.0]
Seat	2.42 [24.2]

SIZE	d	L1	C	D	n-h	t	H	H1	D2	F7304(Kg)	F7410(Kg)
015	15	70	70	95	4-15	12	120	120	80	2,73	2,67
020	20	75	75	100	4-15	14	130	125	100	3,65	3,56
025	25	85	90	125	4-19	14	145	140	125	5,16	5,02
032	32	95	100	135	4-19	16	150	145	125	6,72	6,58
040	40	100	105	140	4-19	16	165	160	140	8,13	7,95