

AL-4,4T

3

Safety Relief Valve

Full bore type	Lift type	Safety valve	Relief valve
Safety relief valve	Lever type	Closed type	Dash-pot structure
Handle type	Stainless	High pressure gas testing products	
Diaphragm	Non-leakage		

■Features

1. Safety valve, simple structure and easy maintenance.
2. Easy adjustment.
3. Fluororesin disc ensures reliable seating. (AL-4T)



■Specifications

· AL-4

Structure	Open type	
Application	Steam	
Working pressure	0.05-1.5 MPa *1	
Maximum temperature	220°C	
Material	Valve case	Ductile cast iron
	Spring case	Ductile cast iron
	Valve, valve seat	Stainless steel
Connection	JIS 10K FF flanged	
	JIS 16K FF flanged *2	

*1 Maximum working pressure for 150A type is 0.8 MPa (connection: JIS 10K FF flanged).

*2 JIS 16K FF flanged when working pressure is more than 1.0 MPa.

· Please refer to the chart in P.3-76 for set pressure range.

· AL-4T

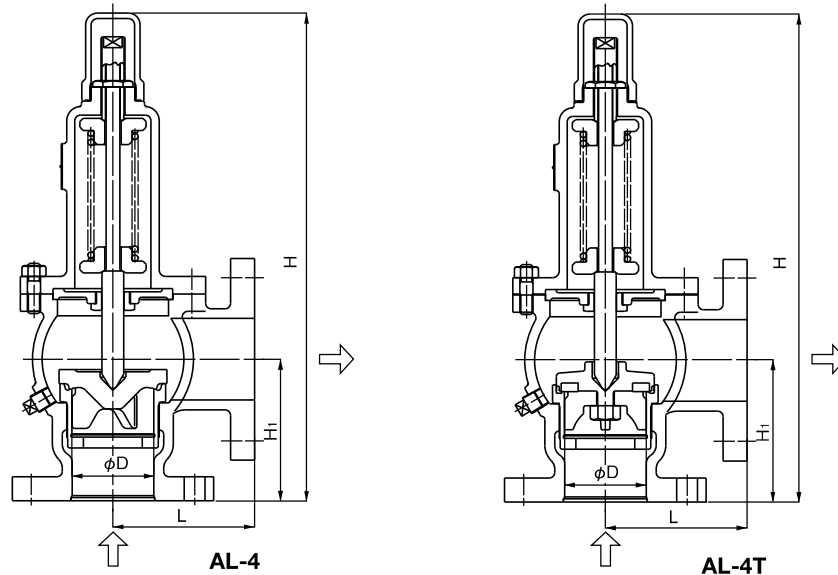
Type	Standard	With SUS trim parts
Structure	Closed type	
Application	Air, Cold and hot water, Oil, Other non-dangerous fluids	
Working pressure	0.05-1.0 MPa *1	0.05-1.5 MPa *1 *2
Maximum temperature	150°C	
Material	Valve case	Ductile cast iron
	Spring case	Ductile cast iron
	Valve, valve seat	Cast bronze (PTFE disc incorporated)
Connection	JIS 10K FF flanged	JIS 10K FF flanged JIS 16K FF flanged *3

*1 Maximum working pressure for 150A is 0.8 MPa (connection: JIS 10K FF flanged).

*2 When working pressure is more than 1.2 MPa (for 65A and 80A) or 1.0 MPa (for 100A and 125A), a metal-to-metal seating is incorporated in.

*3 JIS 16K FF flanged is used when working pressure is more than 1.0 MPa.

■Dimensions and Weights



· AL-4 (JIS 10K)

Nominal size	Dimension (mm)				Flow area $\pi D l$ (mm ²)	Weight (kg)
	L	H ₁	H	D		
65A	120	120	432	65	331.9	20
80A	130	130	447	75	441.8	22
100A	160	150	595	100	785.4	44
125A	200	205	779	125	1227.2	88
150A	210	215	835	150	1767.2	113

· AL-4T (JIS 10K)

Nominal size	Dimension (mm)				Flow area $\pi D l$ (mm ²)	Weight (kg)
	L	H ₁	H	D		
65A	120	120	434	65	331.9	20
80A	130	130	449	75	441.8	22
100A	160	150	597	100	785.4	44
125A	200	205	781	125	1227.2	88
150A	210	215	837	150	1767.2	113

· AL-4 · AL-4T (JIS 16K)

Nominal size	Dimension (mm)				Flow area $\pi D l$ (mm ²)
	L	H ₁	H	D	
65A	120	120	432 (434)	65	331.9
80A	132	130	449 (451)	75	441.8
100A	162	150	597 (599)	100	785.4
125A	202	205	781 (783)	125	1227.2

· The above values in parentheses are the dimensions of the AL-4T.

■At the Time of Ordering

When ordering, please specify with or without lever and the material of the valve body and valve seat in addition to the set pressure.