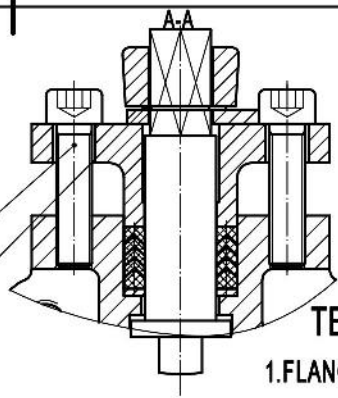
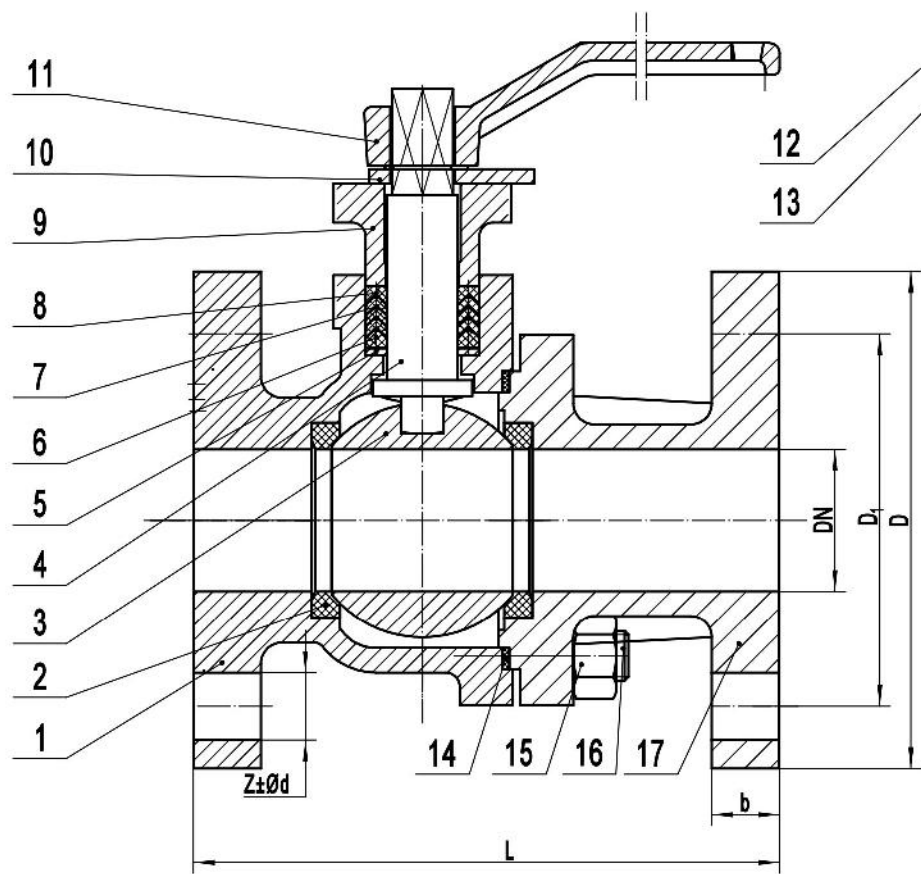


**SPECIFICATION**

DN	DN40-200	
PN	10K	
TEMPERATURE°C	-10~200	
TEST PRESSURE MPa	SEAL(WATER)	1.6
	SHELL(WATER)	2.1
MEDIUM	WATER,STEAM,OIL	

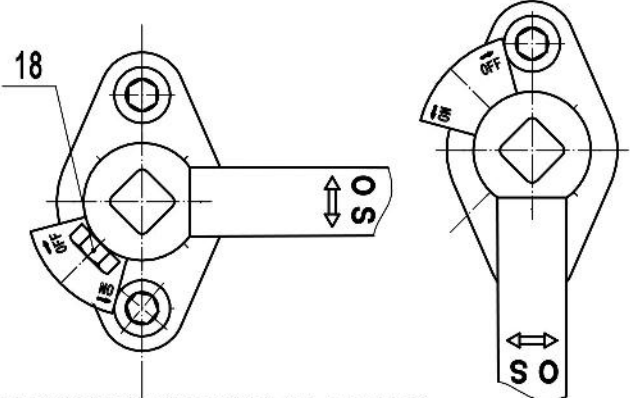
**TECHNICAL REQUIREMENT**

- 1.FLANGED ENDS ACCORDING TO JIS B2239;
- 2.TEST ACCORDING TO KS B 2304.



18	BOLT	35# STEEL			
17	BODY	CAST IRON			
16	STUD BOLT	35# STEEL			
15	NUT	25# STEEL			
14	BONNET GASKET	PTFE			
13	CIRCLIP	SPRING STEEL (65Mn)			
12	SCREW	35# STEEL			
11	LEVER	DUCTILE IRON			
10	LIMITED BLOCK	Q235 STEEL			
9	PACKING GLAND	DUCTILE IRON			
8	PACKING	PTFE			
7	PACKING	PTFE			
6	PACKING	PTFE			
5	WASHER	Q235 STEEL			
4	STEM	2Cr13			
3	BALL	SS304			
2	SEAL RING	PTFE			
1	BODY	CAST IRON			

NO.	CODE	NAME	QTY	MATERIAL	REMARK
-----	------	------	-----	----------	--------



DN	ITEM	L	D	D1	b	Z-Ød
40		165	140	105	19	4-Ø19
50		180	155	120	20	4-Ø19
65		190	175	140	20	4-Ø19
80		200	185	150	22	8-Ø19
100		230	210	175	22	8-Ø19
125		300	250	210	22	8-Ø23
150		340	280	240	23	8-Ø23
200		450	330	290	26	12-Ø23

THE POSITION OF LOCATING PLATE AND LEVER UNDER THE CONDITION OF FULLY OPEN.

THE POSITION OF LOCATING PLATE AND LEVER UNDER THE CONDITION OF FULLY CLOSED.



**BALL VALVE**