

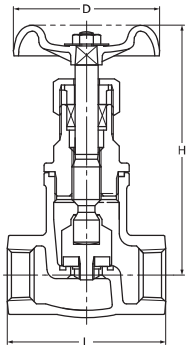
10K

GLOBE VALVE with PTFE DISC

Pressure-Temperature Rating: 1.0 MPa: 180°C

UD

UDM



Face to face dimensions: JIS B2011
End thread dimensions: JIS B0203
Wall thickness: KITZ Std.

Parts	UD	UDM
Body	SCS13A	SCS14A
Bonnet	SCS13A	SCS14A
Stem	SUS304	SUS316
Disc	PTFE	
Disc holder	SUS304	SUS316
Gland	SUS304	SUS316
Gland packing	Refer to Page 10	
Packing nut	SCS13A / SUS304	
Handwheel	ZDC (10 to 20) / ADC12 (25 to 50)	
Gasket	PTFE	
Packing washer	SUS316	
Name plate	A1050P	

Unit: mm

Nominal Size	3/8	1/2	3/4	1	1 1/4	1 1/2	2
L	55	65	80	90	105	120	140
H	109	112	113	143	150	171	189
D	60	60	70	90	90	100	115

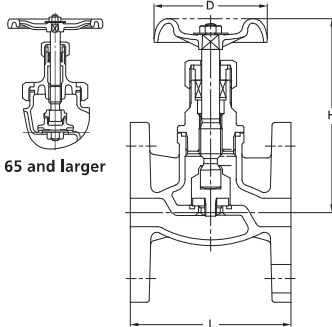
10K

GLOBE VALVE with PTFE DISC

Pressure-Temperature Rating: 1.0 MPa: 180°C

UDB

UDBM



Face to face dimensions: JIS B2011
End flange dimensions: JIS B2220*
Wall thickness: KITZ Std.

Parts	UDB	UDBM
Body	SCS13A	SCS14A
Bonnet	SCS13A	SCS14A
Stem	SUS304	SUS316
Disc	PTFE	
Disc holder	SUS304	SUS316
Gland	SUS304	SUS316
Gland packing	Refer to Page 10	
Packing nut	SUS304 / SCS13A	
Handwheel	ZDC (15 & 20) / ADC12 (25 to 50) / FCD400 (65 & 80)	
Bonnet ring*	SCS13A	SCS14A
Gasket*	PTFE	
Packing washer	SUS316	
Name plate	A1050P	

*For size 65 and larger

*Except flange thickness

Unit: mm

Nominal Size	1/2	3/4	1	1 1/4	1 1/2	2	2 1/2	3
L	85	95	110	130	150	180	210	240
H	112	113	143	150	171	189	252	277
D	60	70	90	90	100	115	180	225

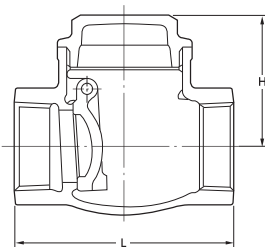
10K

SWING CHECK VALVE

Pressure-Temperature Rating: 1.0 MPa: 180°C

UO

UOM



Face to face dimensions: JIS B2011*
End thread dimensions: JIS B0203
Wall thickness: KITZ Std.

*KITZ standard for Size 65 and 80

Parts	UO	UOM
Body	SCS13A	SCS14A
Cap	SCS13A/SUS304	SCS14A/SUS316
Disc	SCS13A	SCS14A
Hinge pin	SUS304	SUS316
Plug	SUS304	SUS316
Gasket (for plug)	Asbestos-free sheet	

Unit: mm

Nominal Size	1/2	3/4	1	1 1/4	1 1/2	2	2 1/2	3
L	65	80	90	105	120	140	180	200
H	45	55	61	71	72	81	93	104